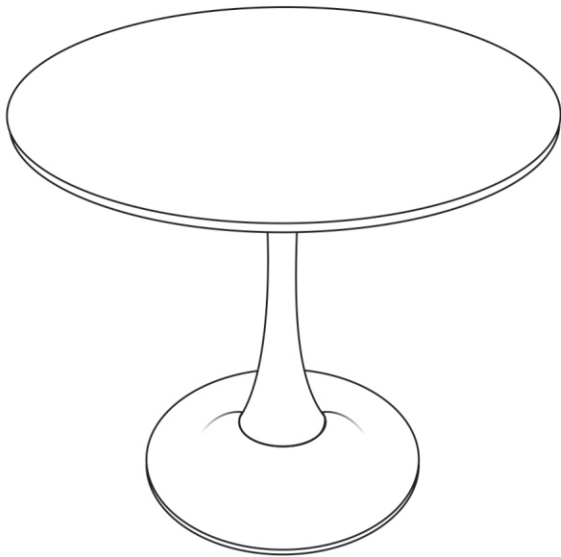


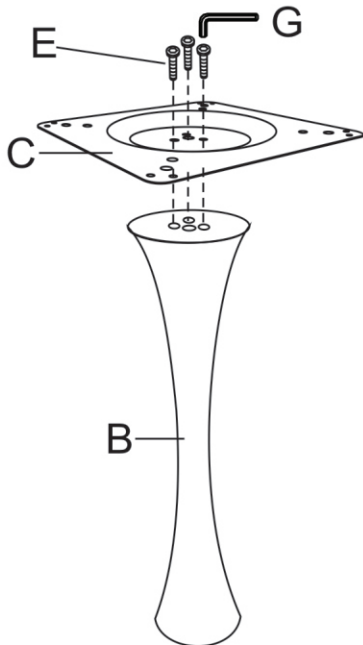
# ASSEMBLY INSTRUCTION



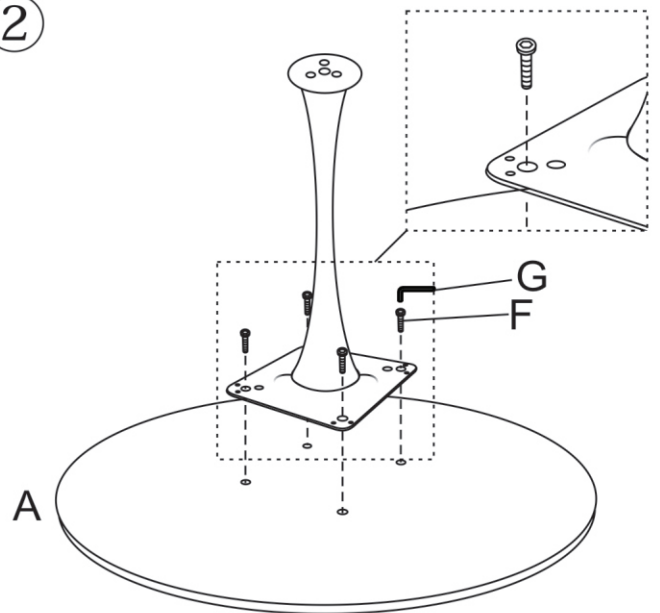
A		1
B		1
C		1
D		1
E		6

F		4
G		1

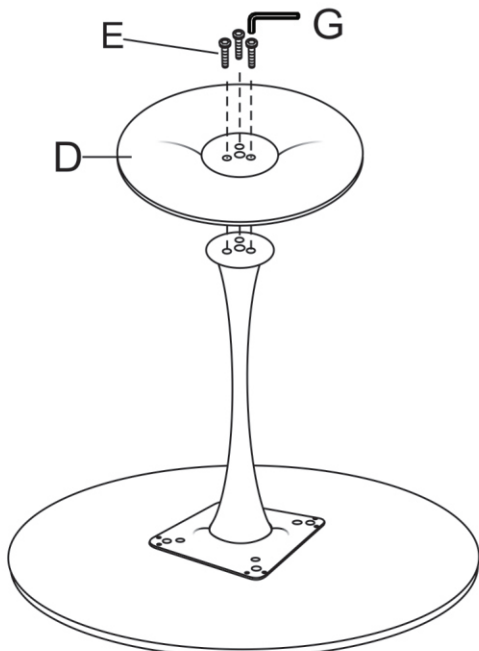
①



②



③



④

