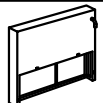
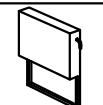
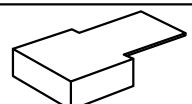
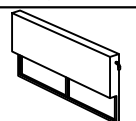
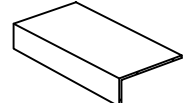
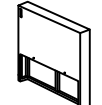
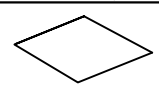
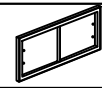



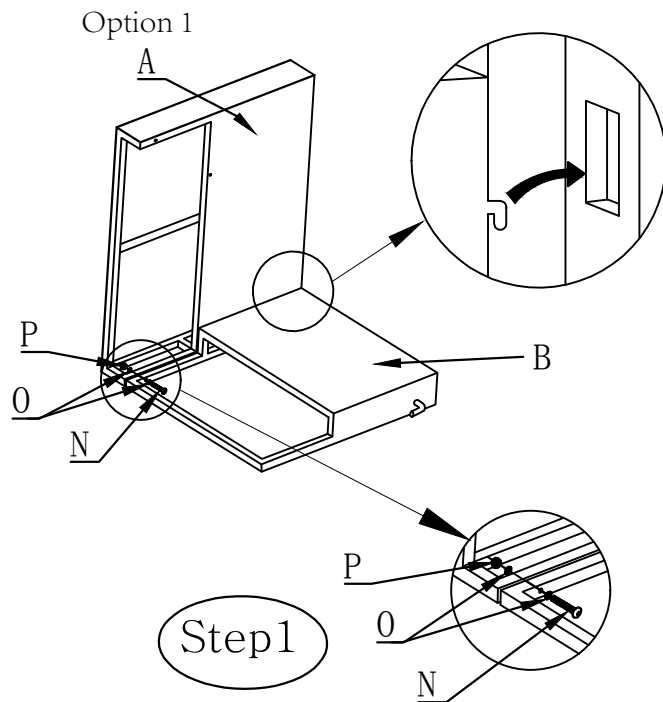
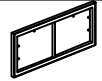







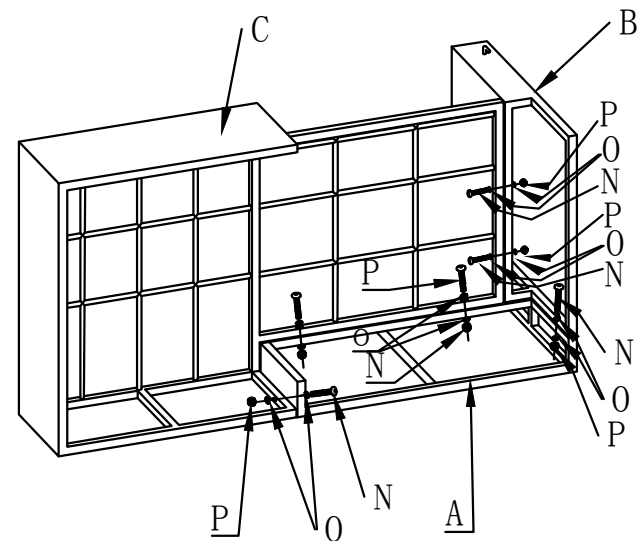


INSTALL INSTRUCTION

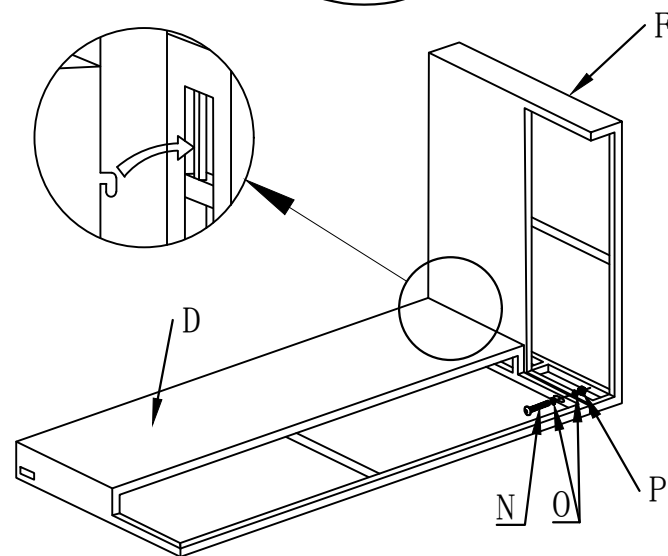
No	PARTS LIST	QTYPCS
A		1
B		1
C		1
D		1
E		1
F		1
G		1
H		2
I		1
J		1
K		3



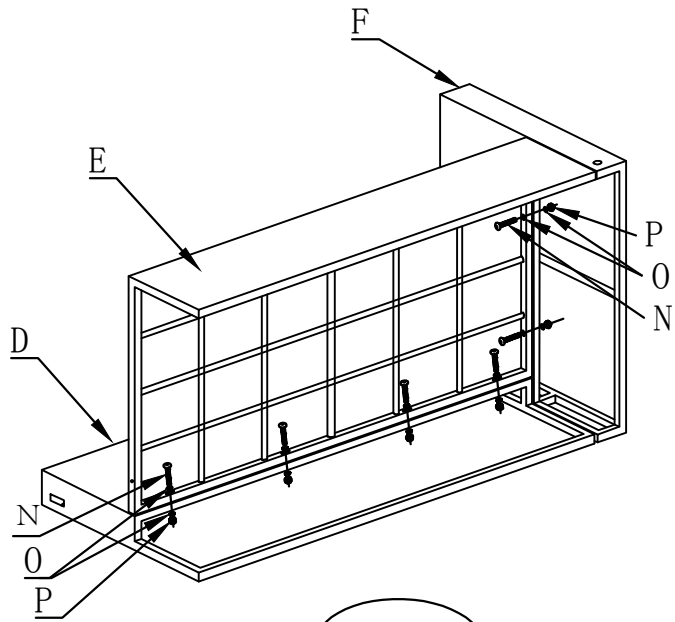
L		2
M	 M6*35	12
N	 M6*60	16
O		44
P		16
Q		1
R		1
S		2



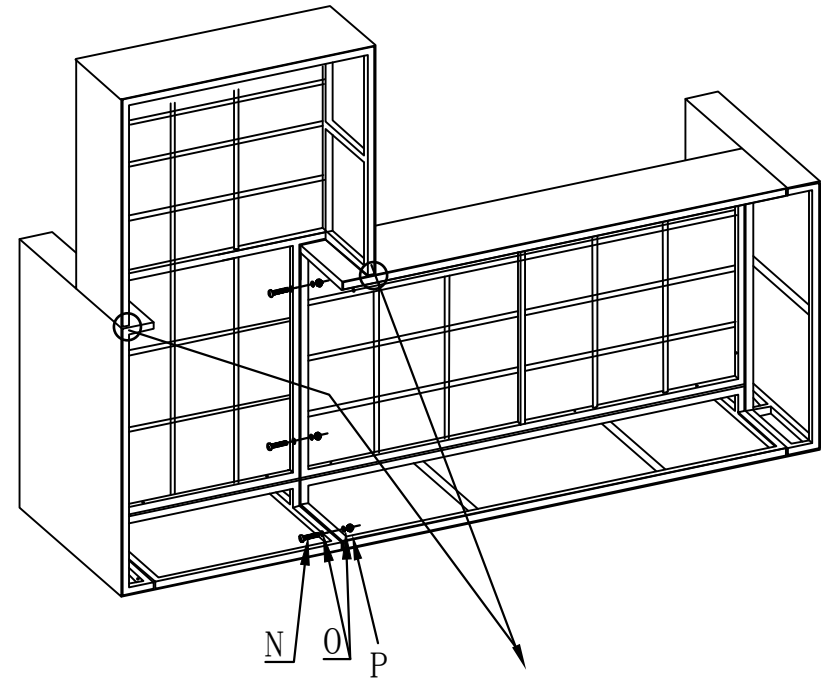
Step2



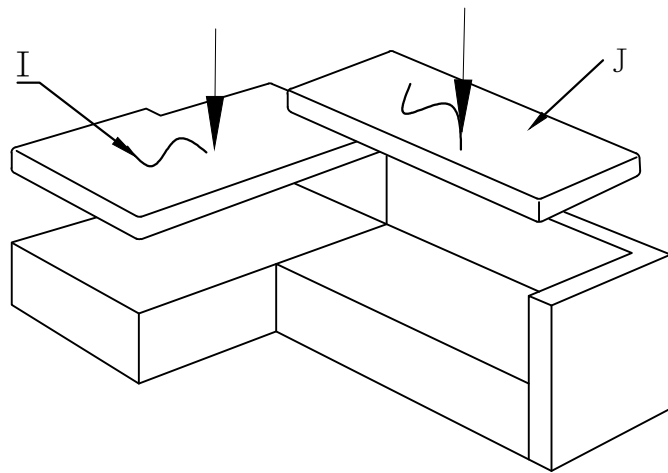
Step3



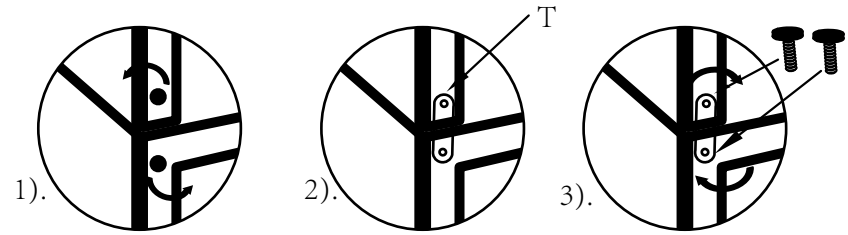
Step4



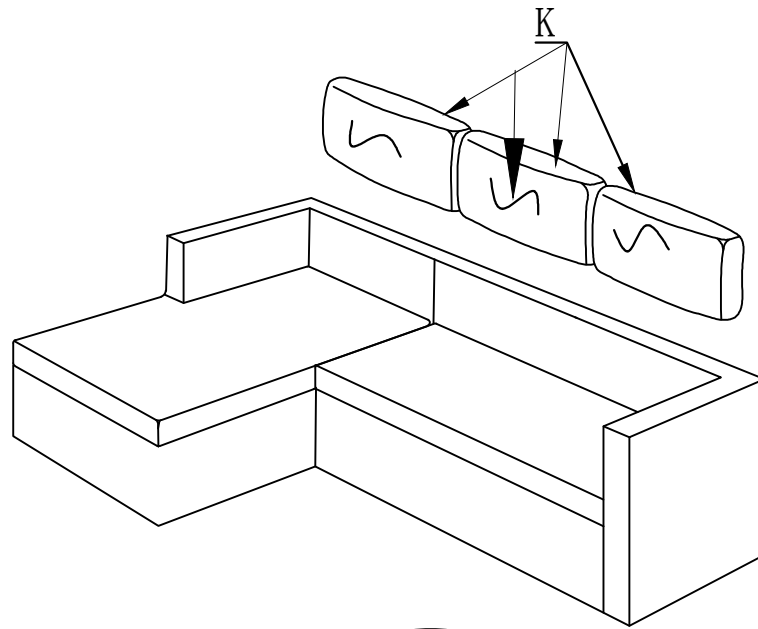
Step5



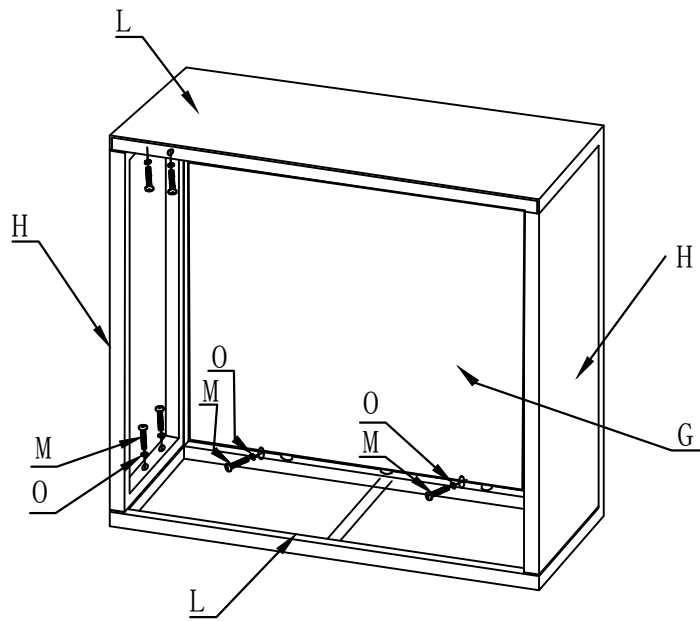
Step6



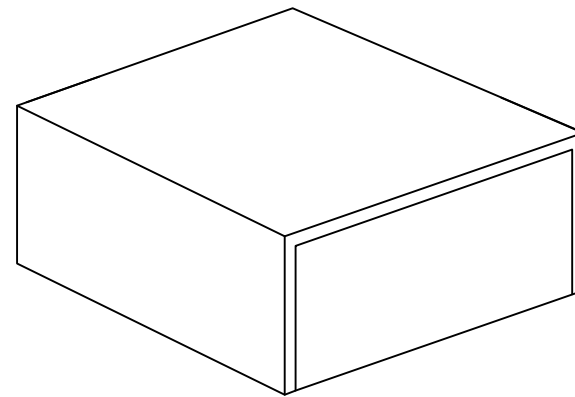
- 1). Knock down the adjustable foot caps.
- 2). Place the steel connection plate.
- 3). Re-install the adjustable foot caps.



Step7

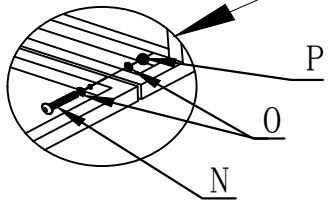
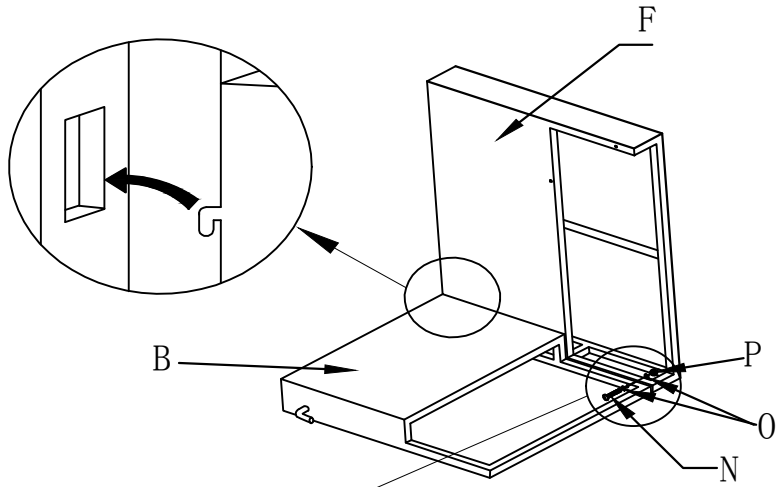


Step8

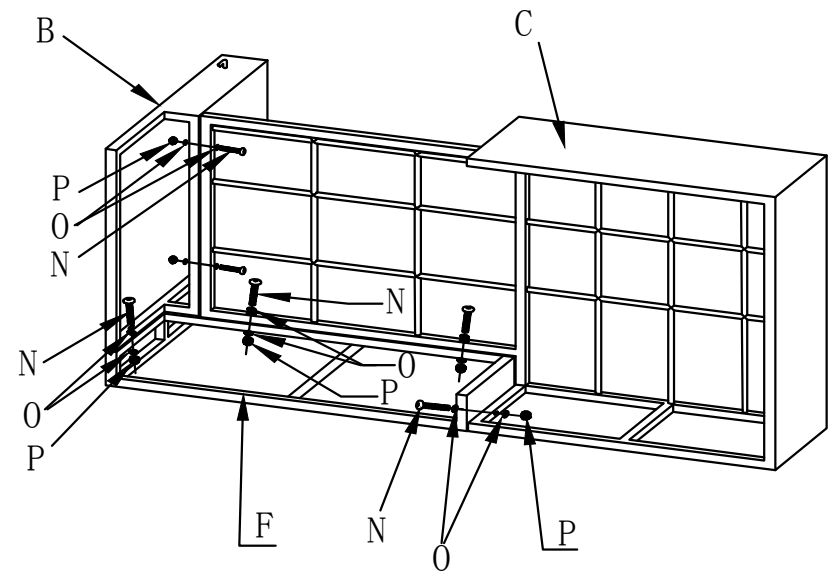


Step9

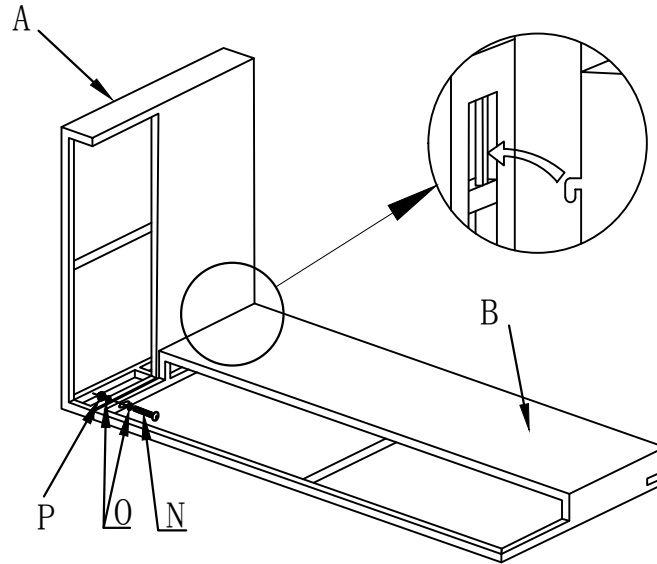
Option 2



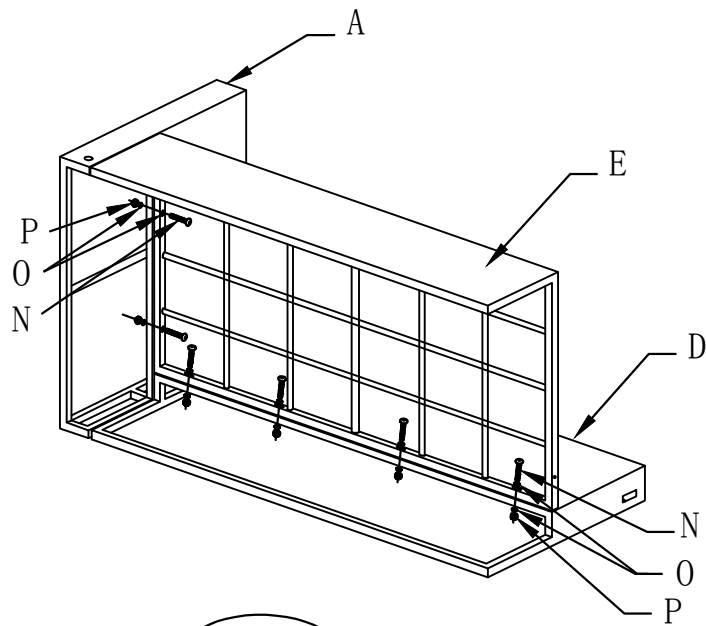
Step1



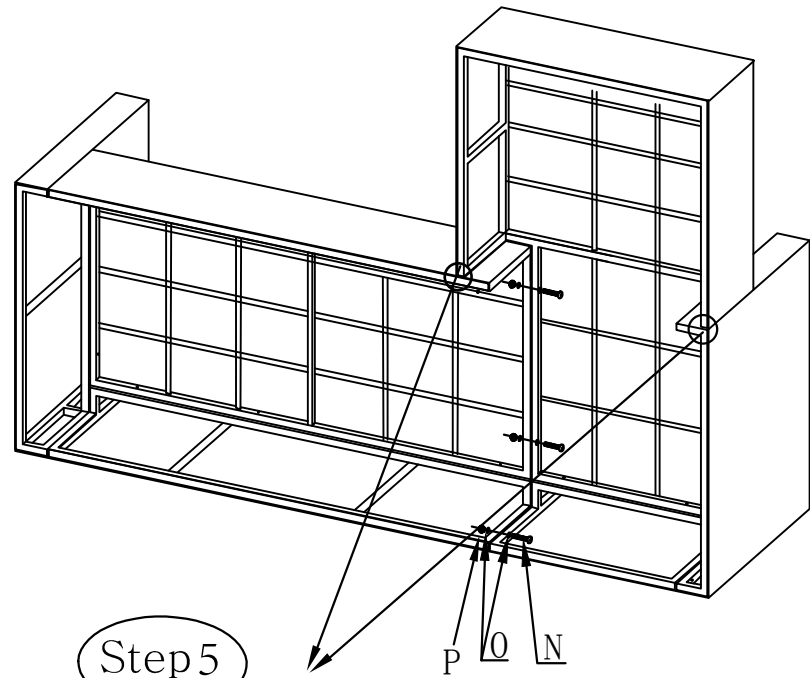
Step2



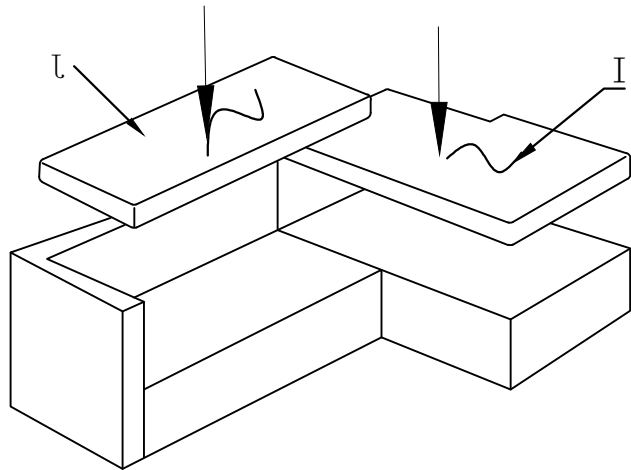
Step3



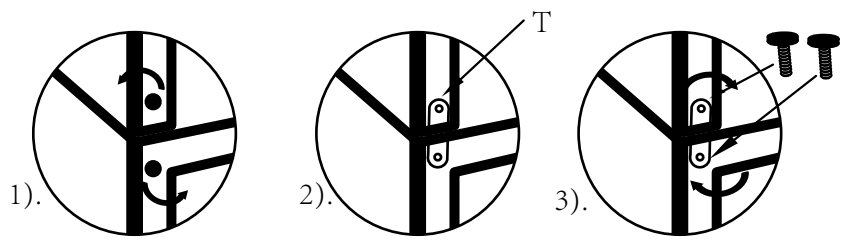
Step 4



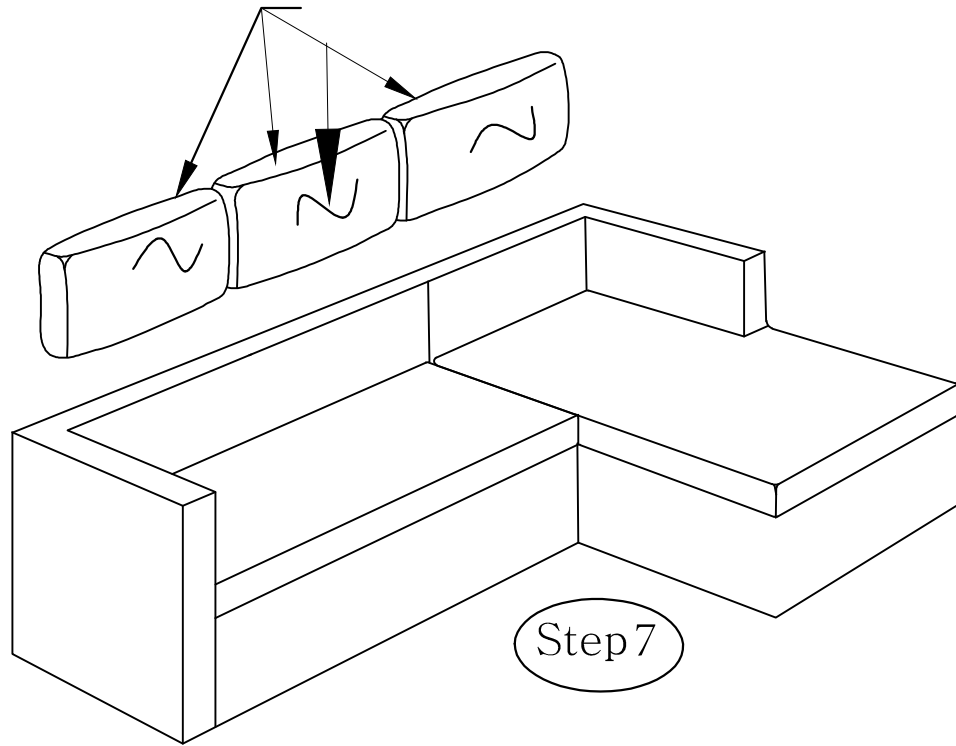
Step 5



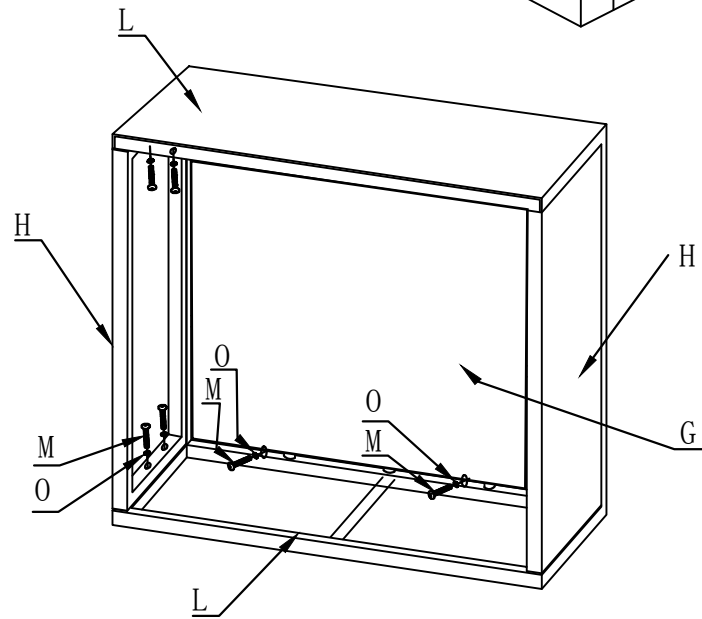
Step 6



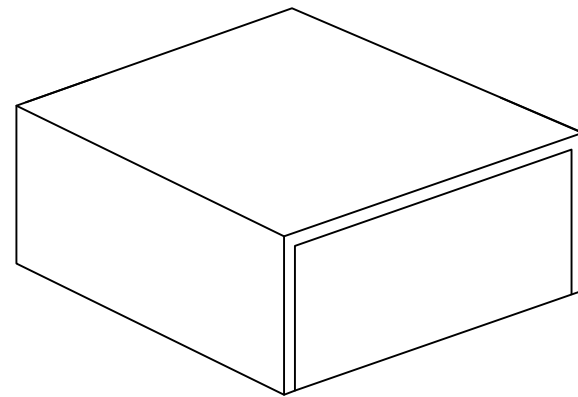
- 1). Knock down the adjustable foot caps.
- 2). Place the steel connection plate.
- 3). Re-install the adjustable foot caps.



Step 7



Step 8



Step 9