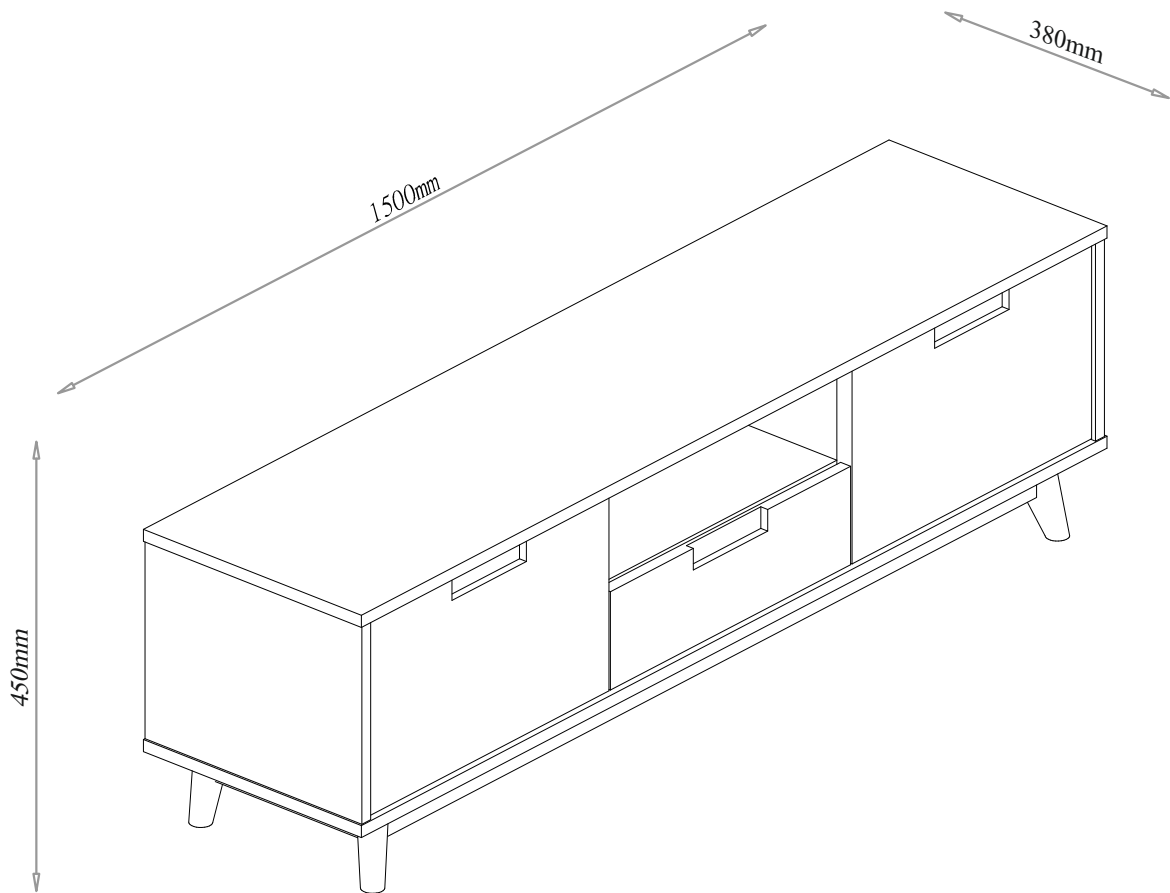
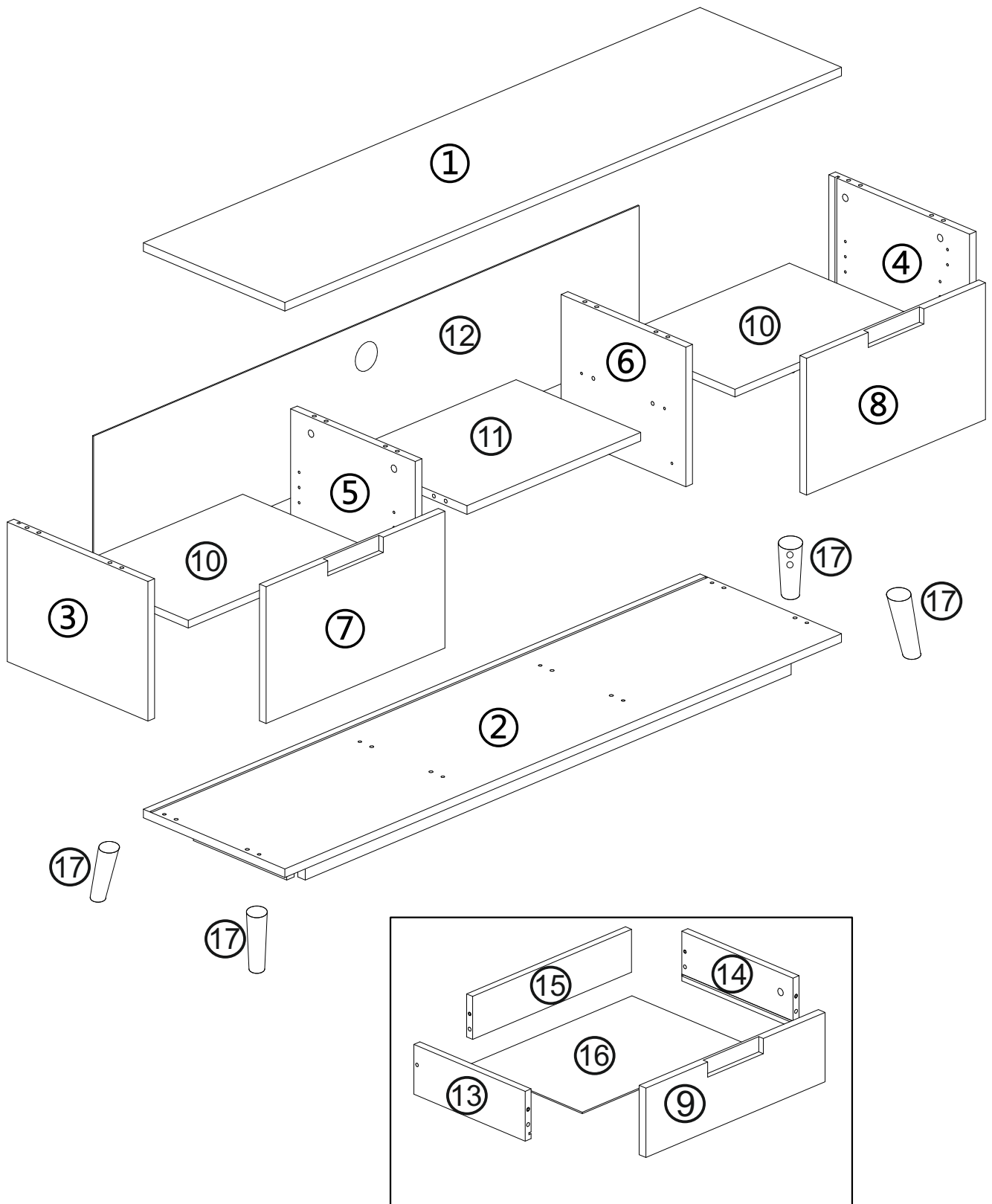
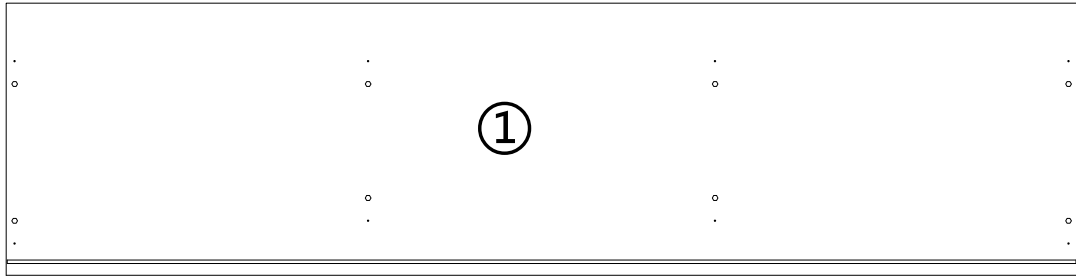


# Copenhagen TV-Bench

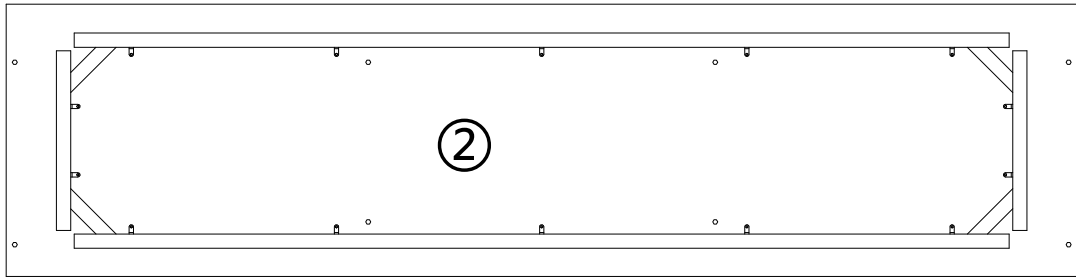
2501002  
2501003



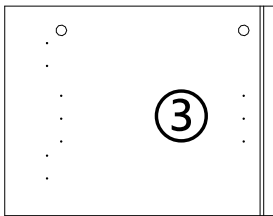




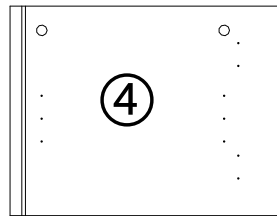
1500x380x15mm(x1)



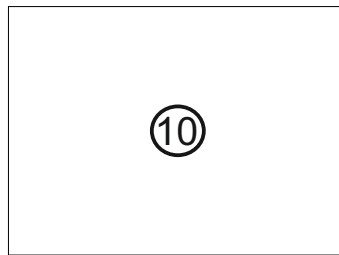
1500x380x18mm(x1)



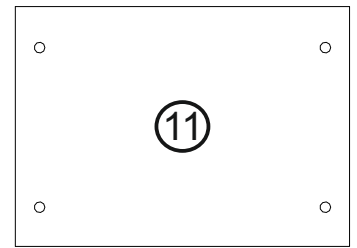
294x378x18mm(x1)



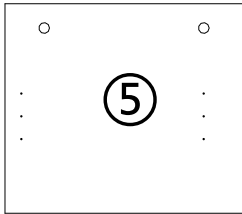
294x378x18mm(x1)



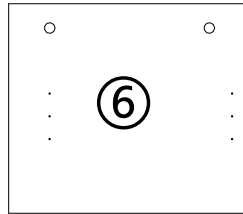
476x329x16mm(x2)



469x336x18mm(x1)



294x336x18mm(x1)



294x336x18mm(x1)



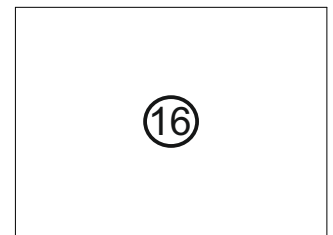
300x104x16mm(x1)



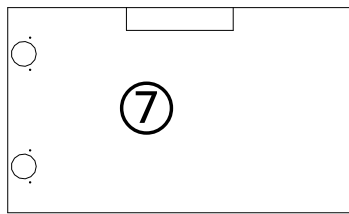
484x146x18mm(x1)



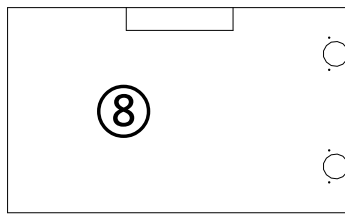
300x104x16mm(x1)



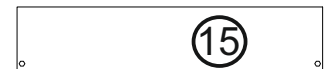
439x305x3mm(x1)



288x483x18mm(x1)



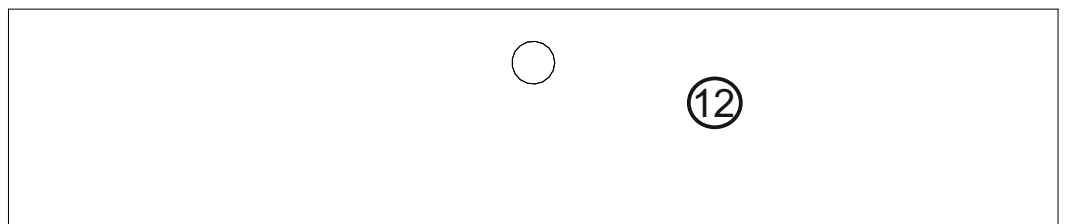
288x483x18mm(x1)








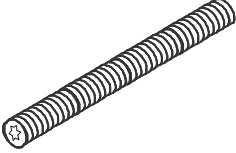
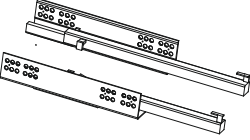


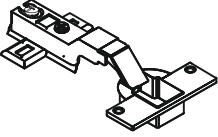

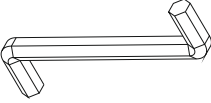

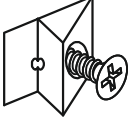
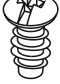

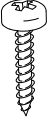
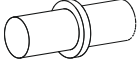

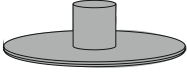
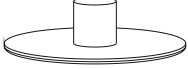
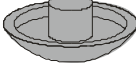

429x90x16mm(x1)



40x40x120mm(x4)

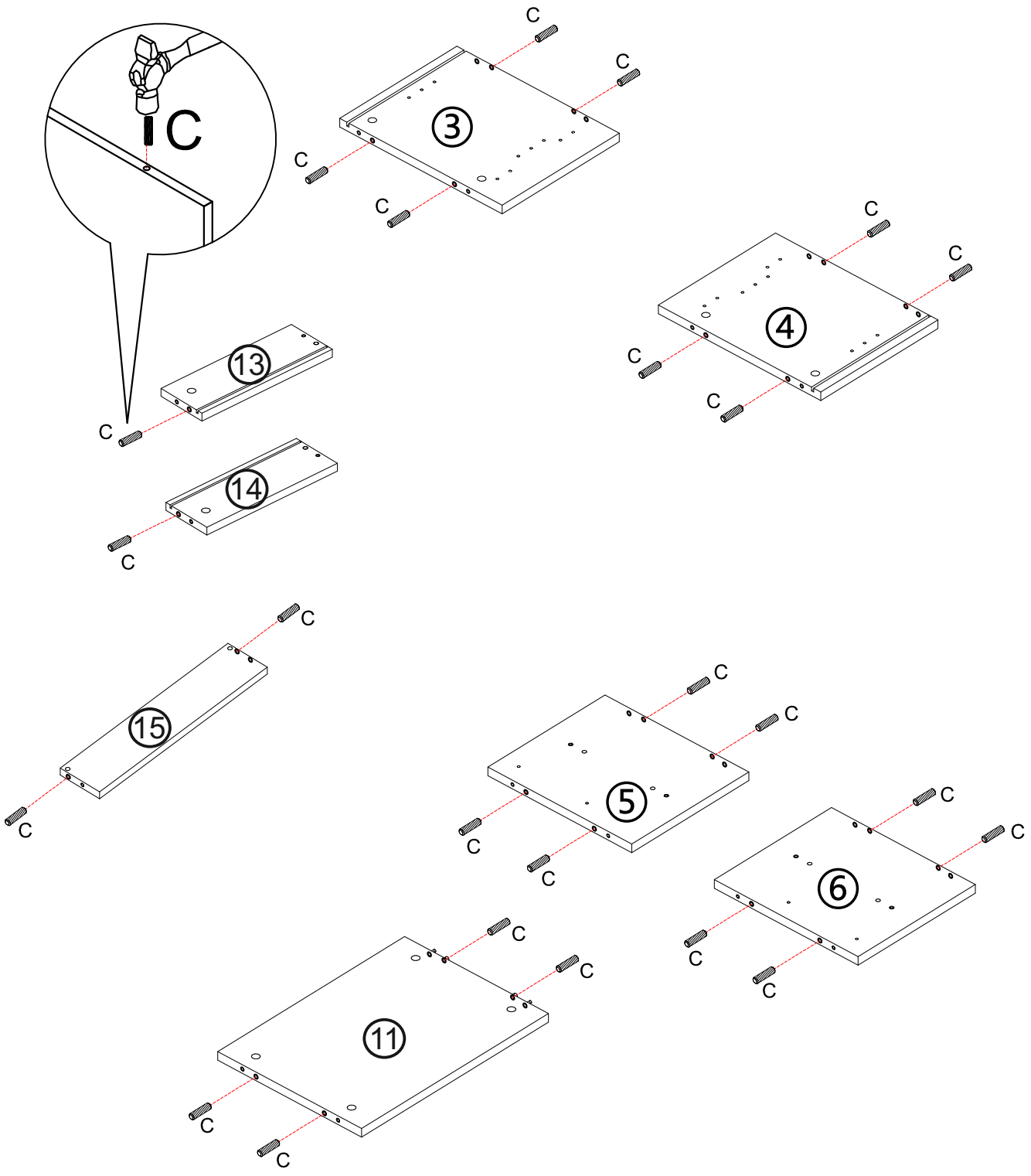
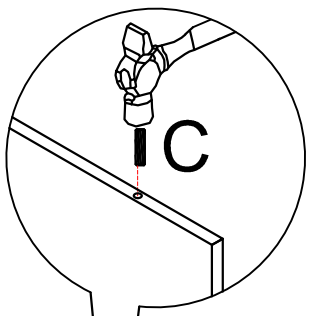


1473x306x3mm(x1)

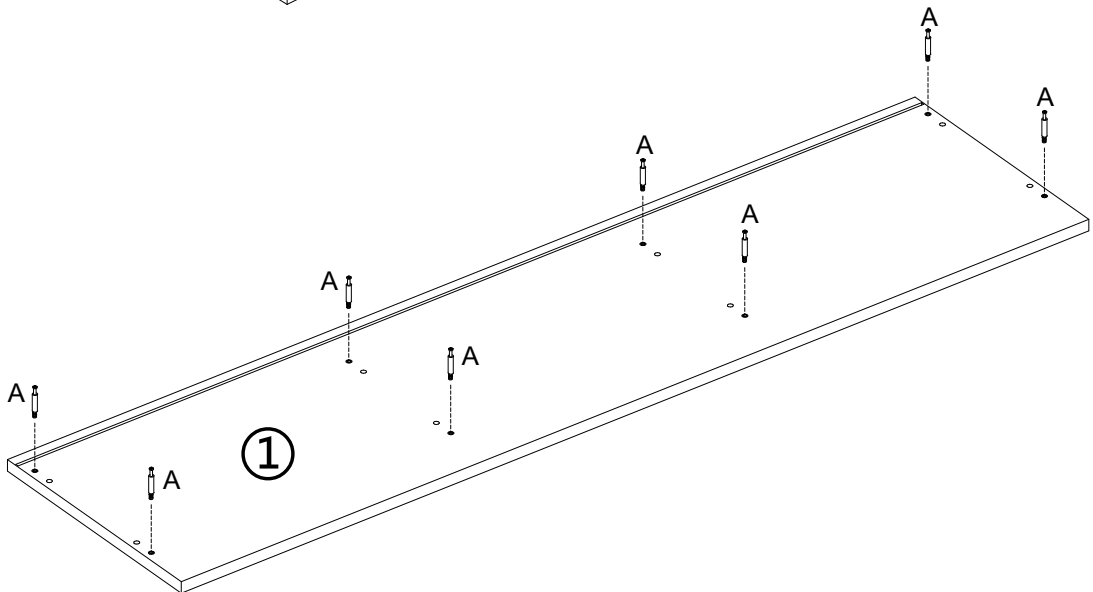
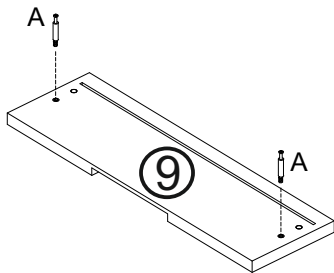
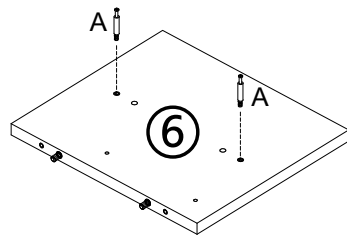
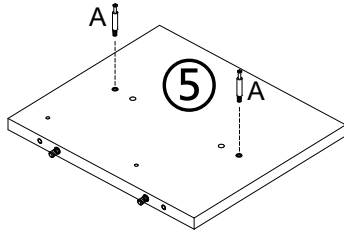
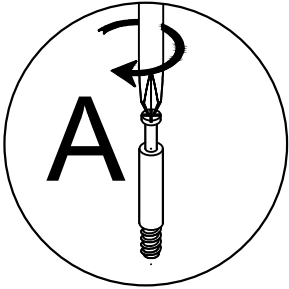
 ø7x43mm 14xA	 ø15x12mm 2xB	 ø8x30mm 24xC	 ø6,3x50mm 10xD
 ø3.5x13mm 8xH	 ø8x100mm 4xF	 L:300mm 1xG	 ø15x14mm 12xH
 ø24mm 4xJ	 4xK	 ø24mm 4xL	 M4 1xM
 ø24mm 4xN	 8xO	 ø6,3x13mm 8xP	 ø6,3x13mm 4xQ
 ø3.5x16mm 4xR	 ø5 8xS	 1xT	 12xY
 2xZ	 8xV	 2xW	

# 1

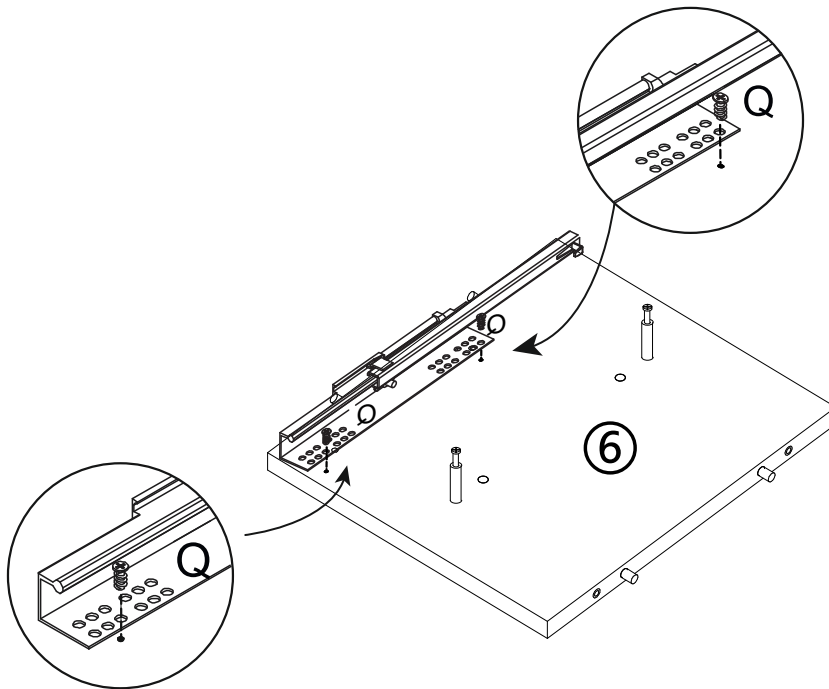
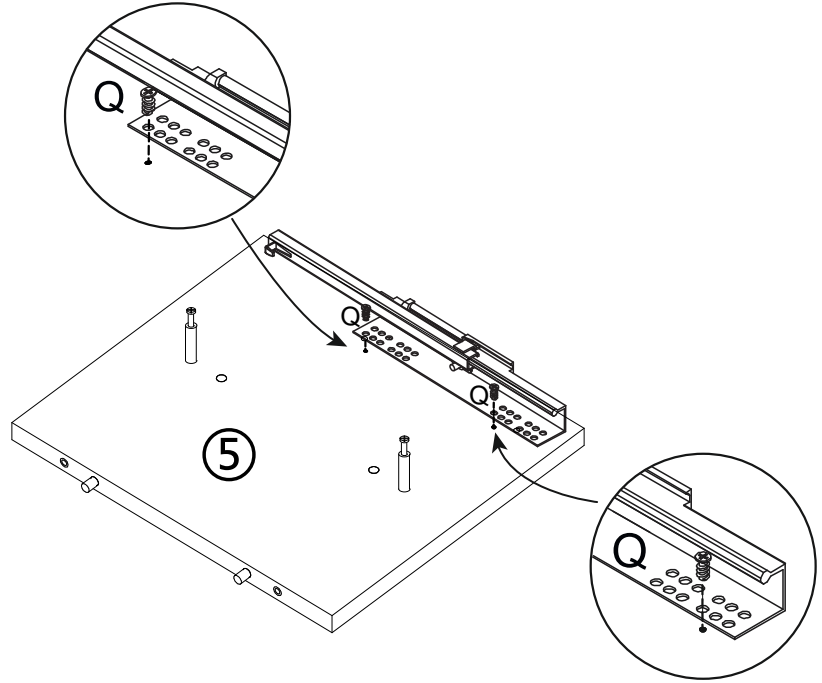
 Cx24		
---	--	---





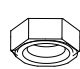

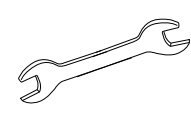

# 2

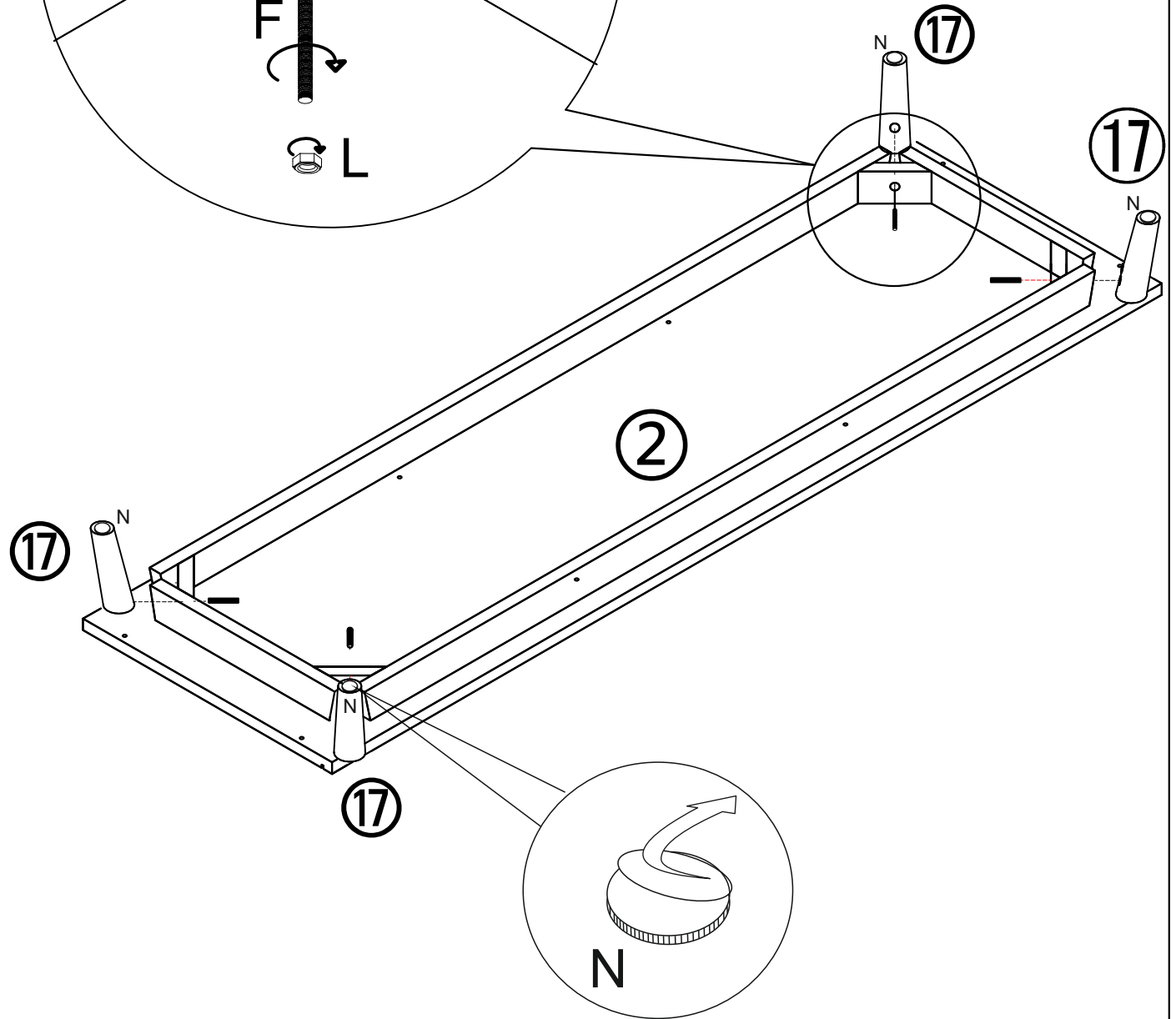
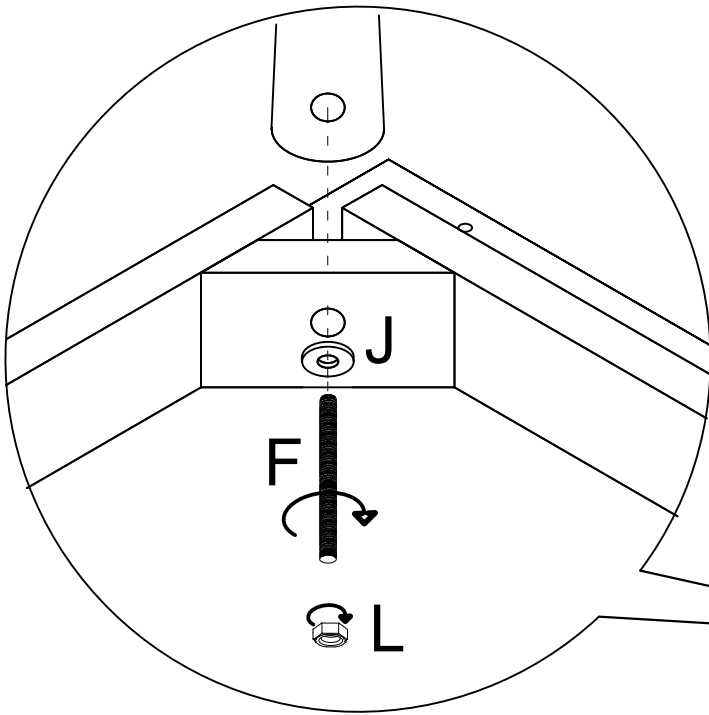


# 3



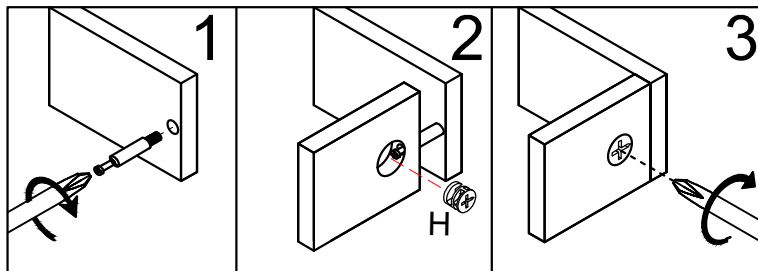
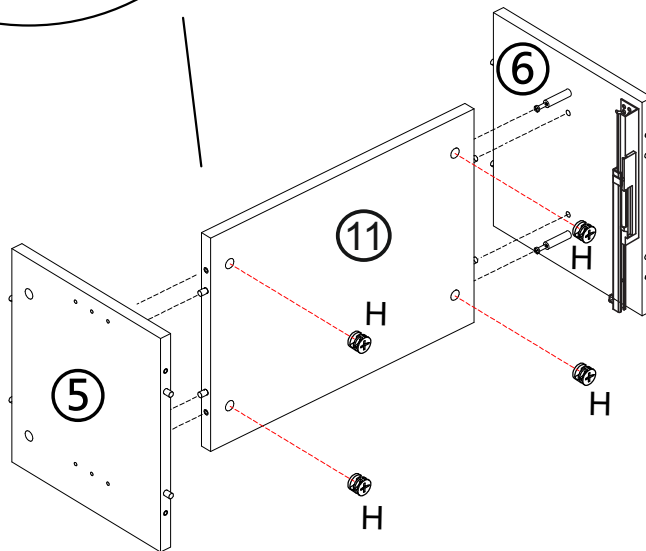
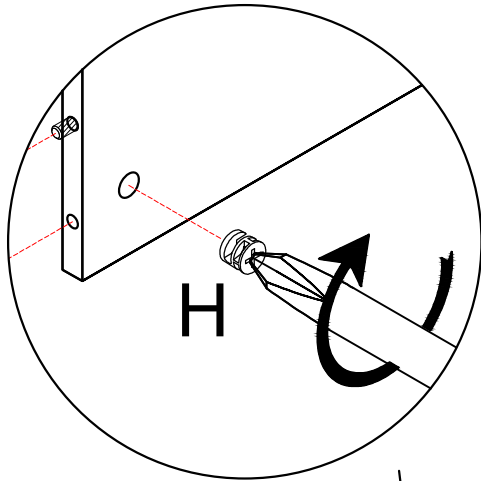
# 4

 4xF	 4xJ	 4xL	 4xN		
					 t25

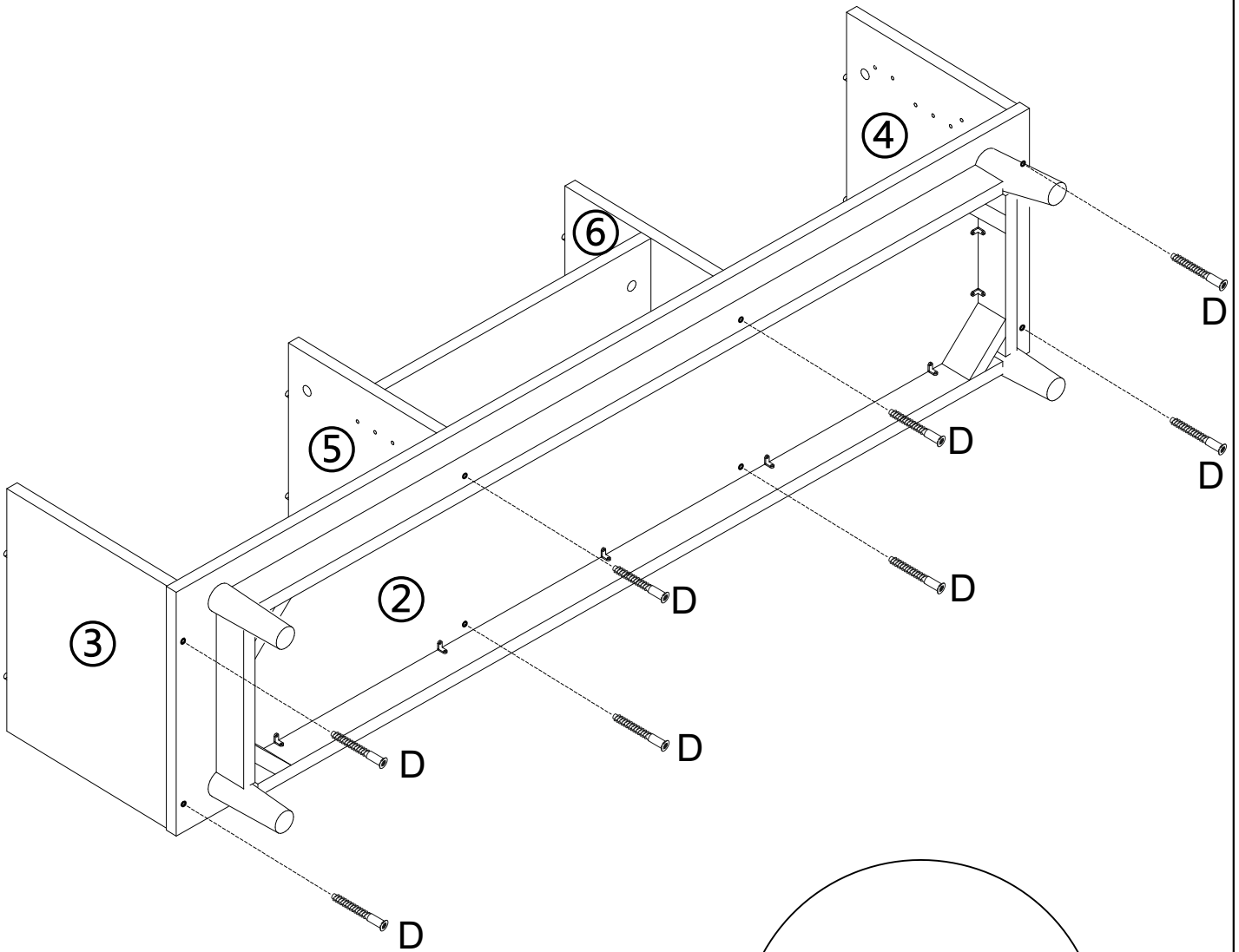




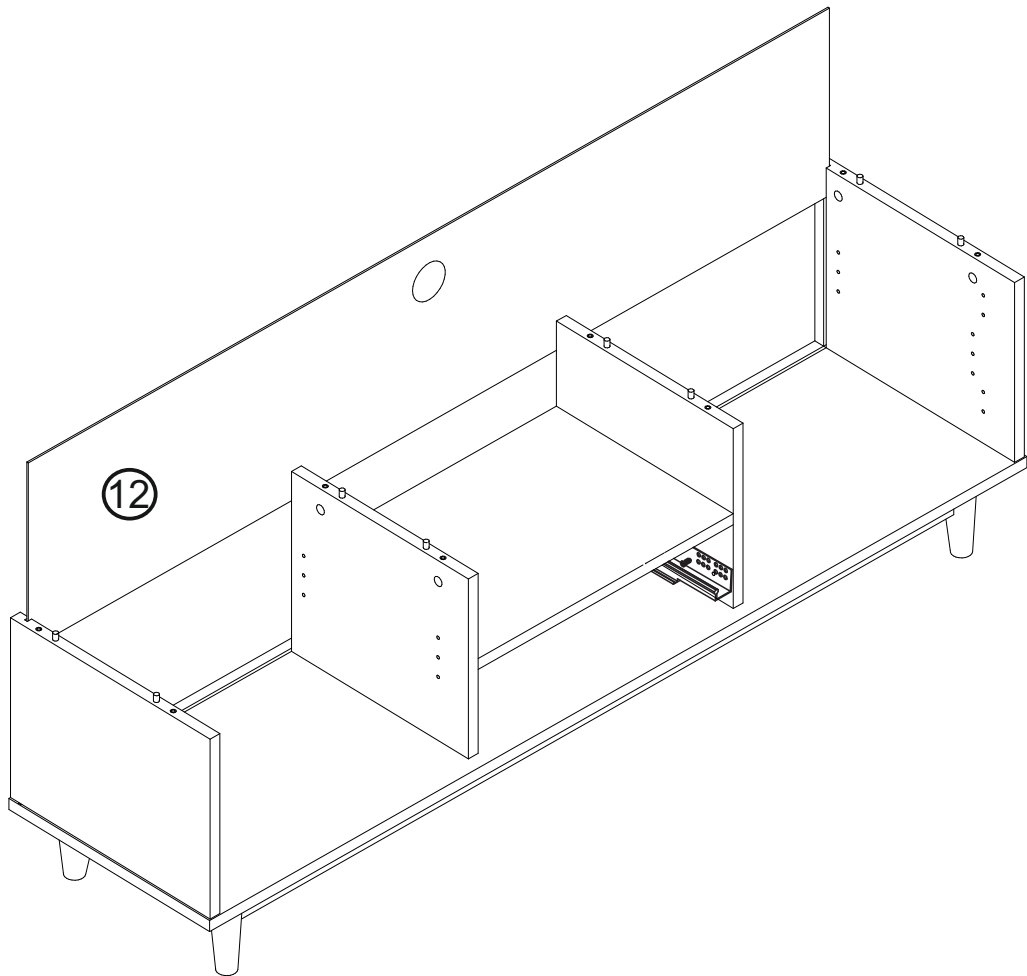
# 5



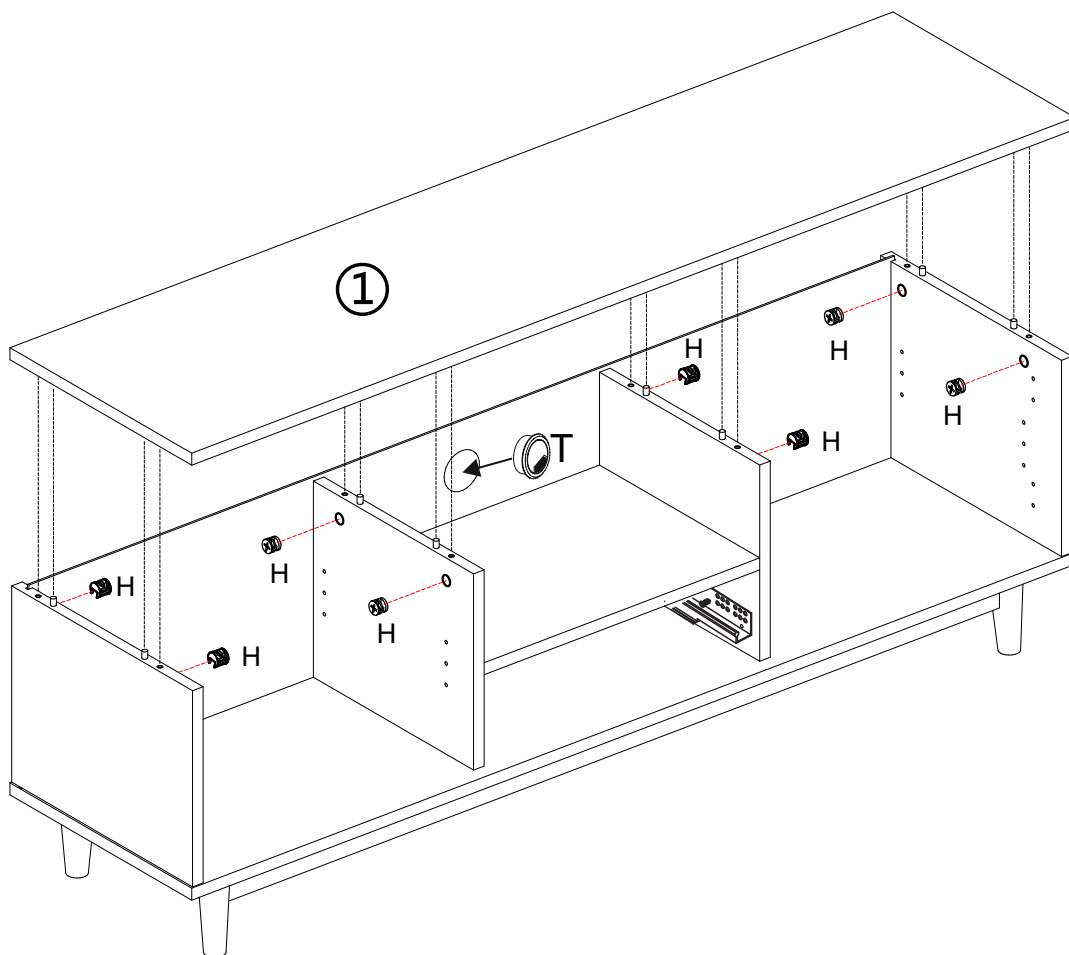
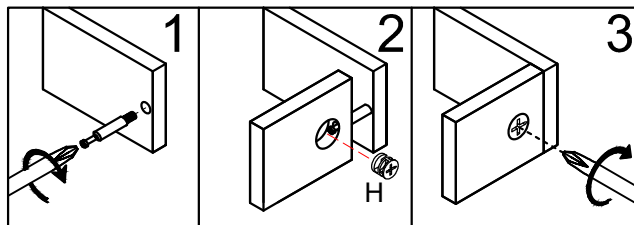
# 6



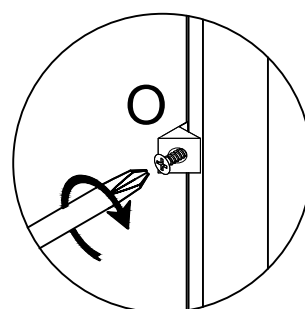
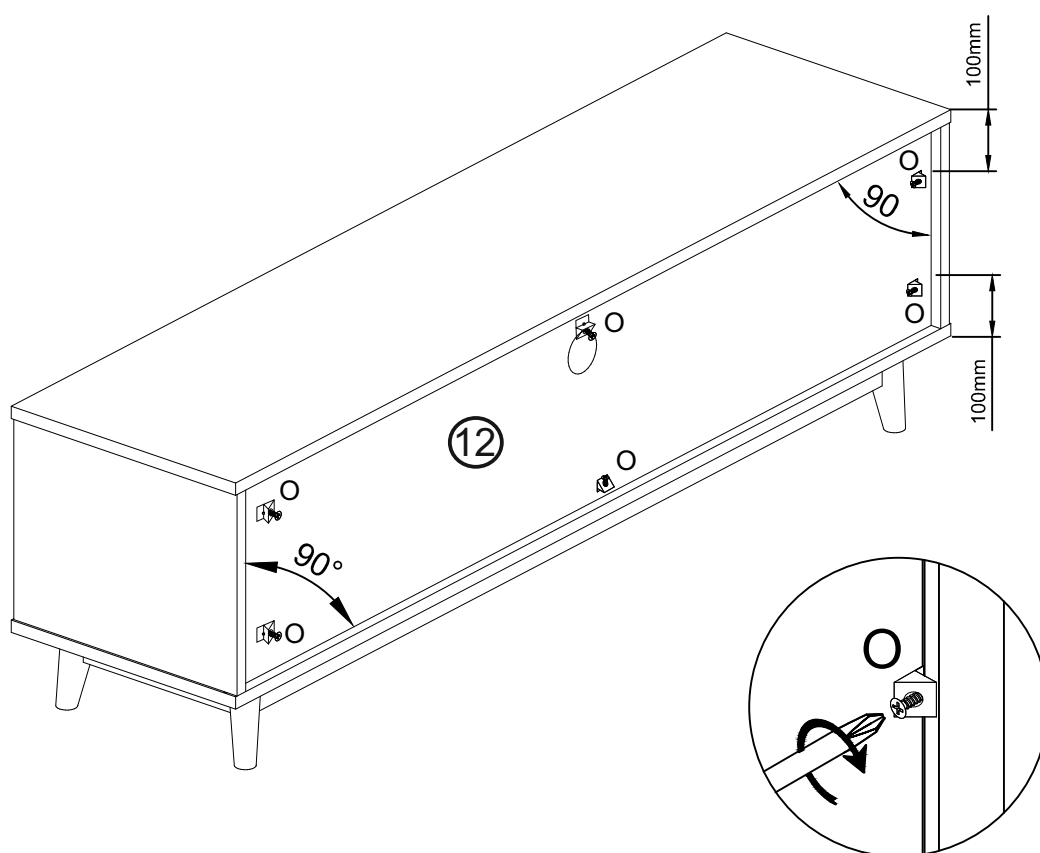
7



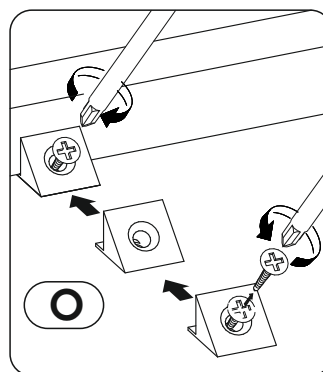
# 8



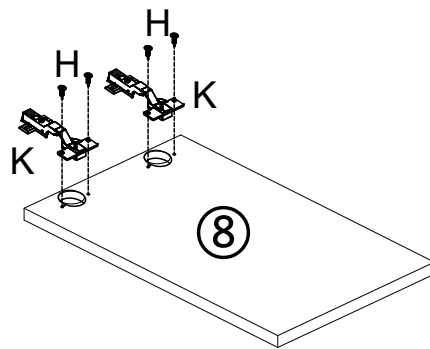
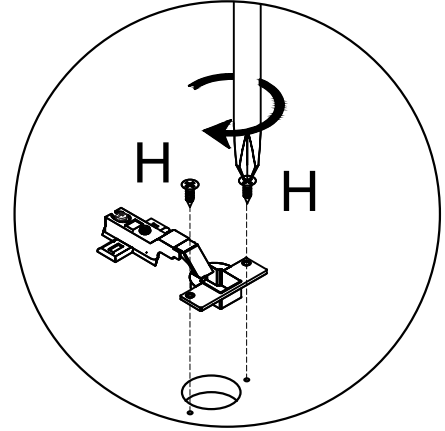
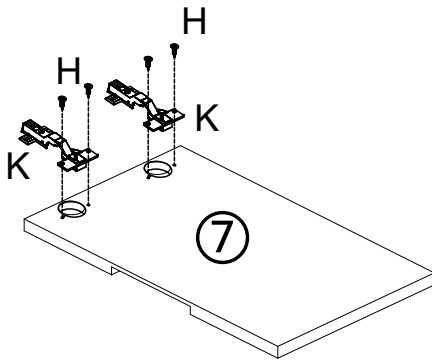
# 9



1. Please remove the screw from the plastic cap
2. Place the plastic cap in the right position
3. Add the screw in the plastic cap and screw it through



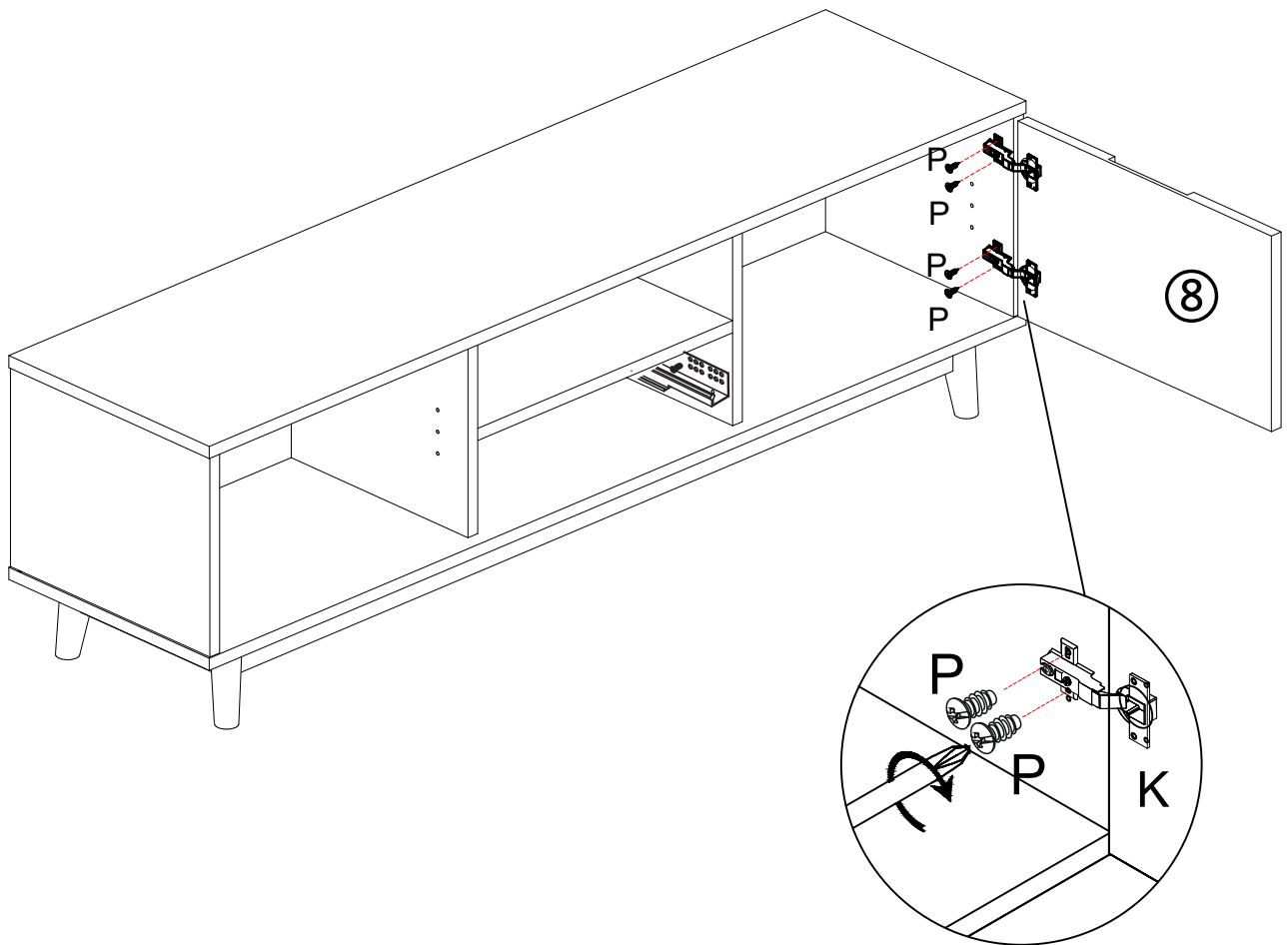
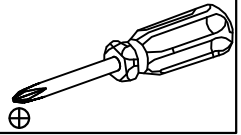
# 10



# 11



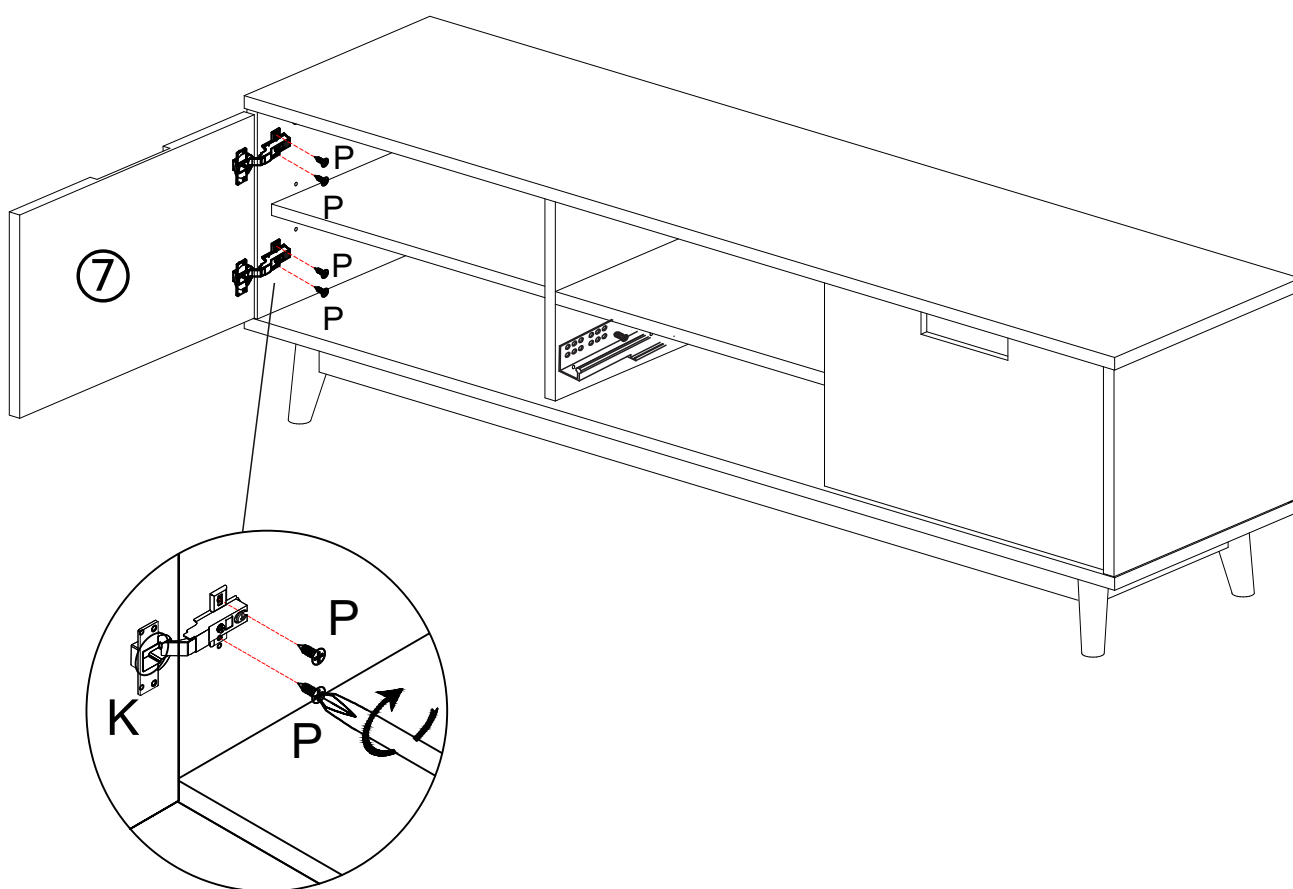
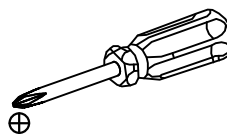
4xP



# 12

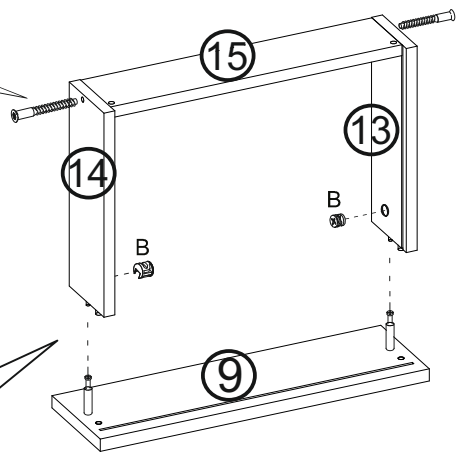
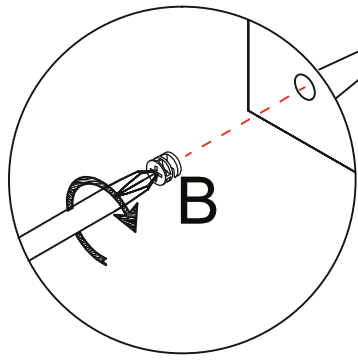
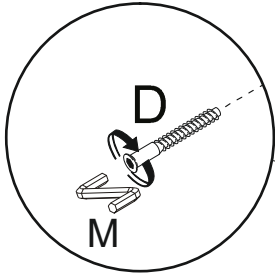
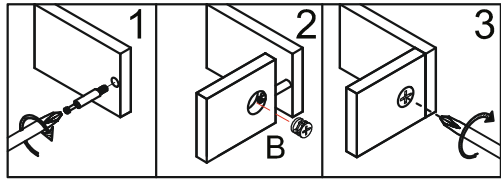


4xP

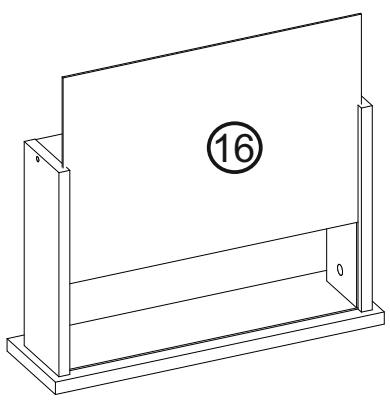




# 13

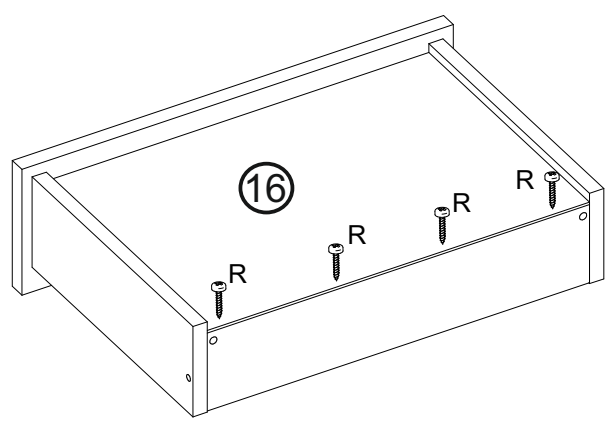
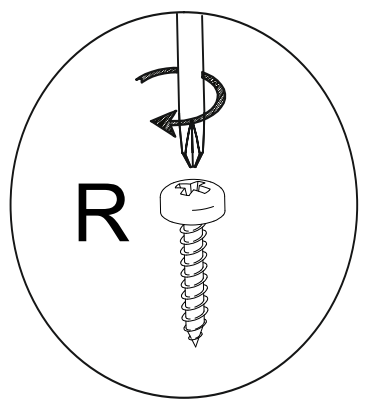


# 16







# 14

 4xR		
--	--	---



# 15

 2xW	 8xV	 14xY	 2xZ		
--	--	---	--	--	--

