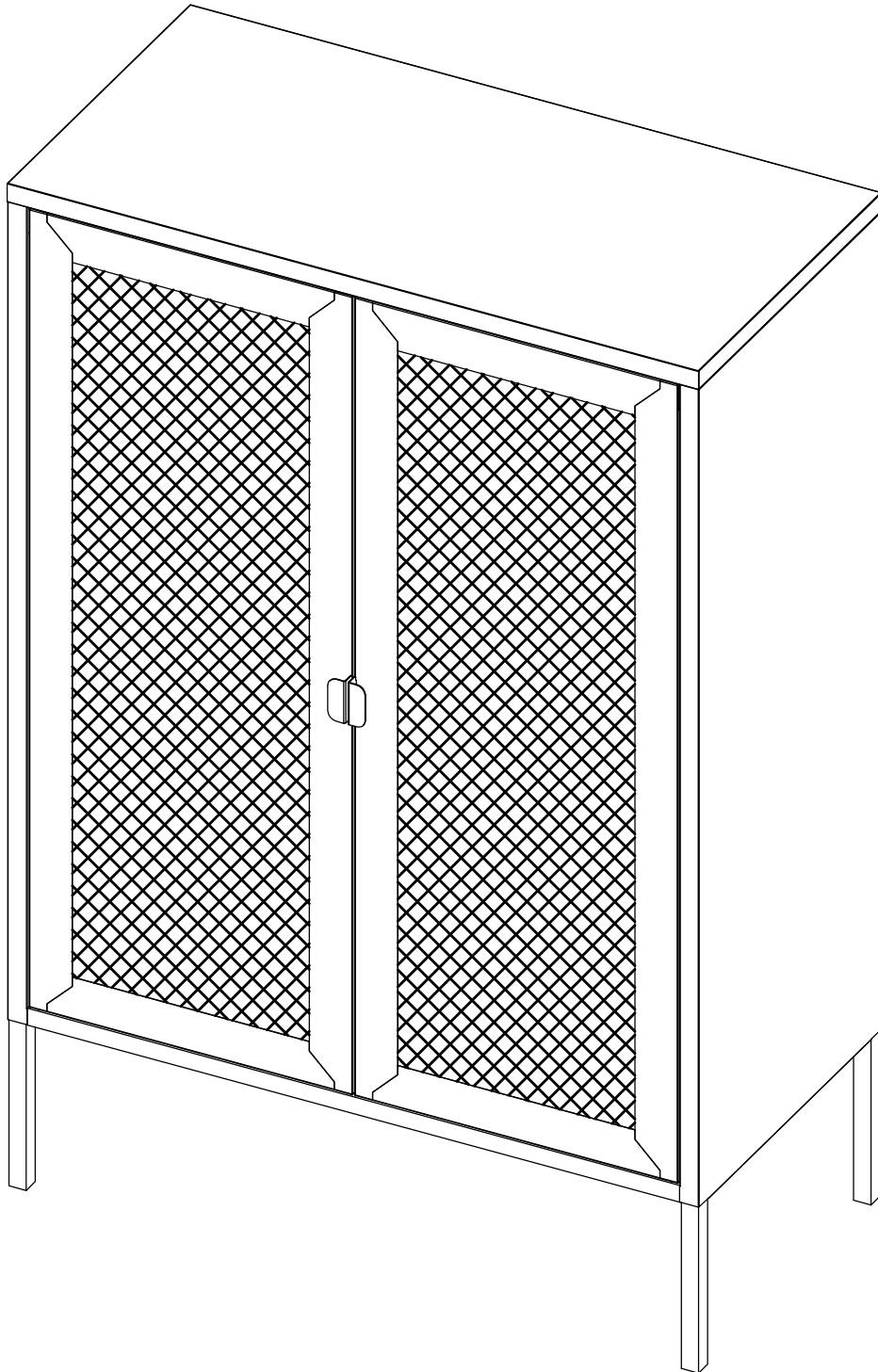
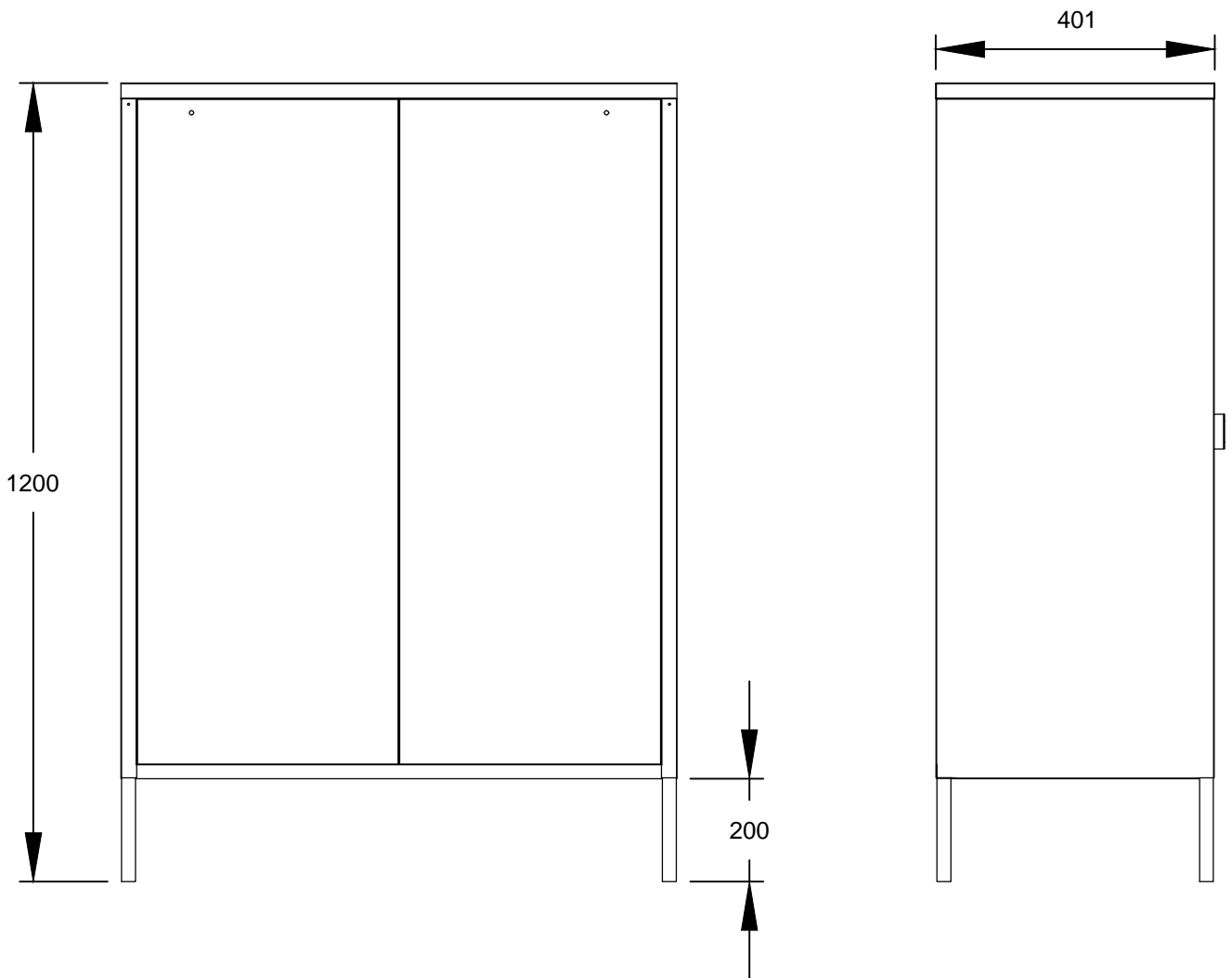
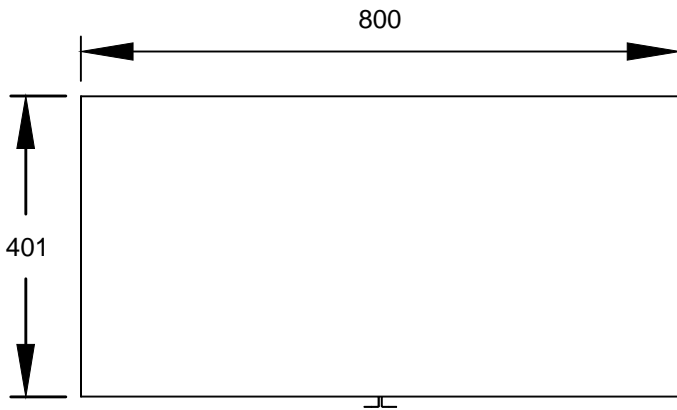
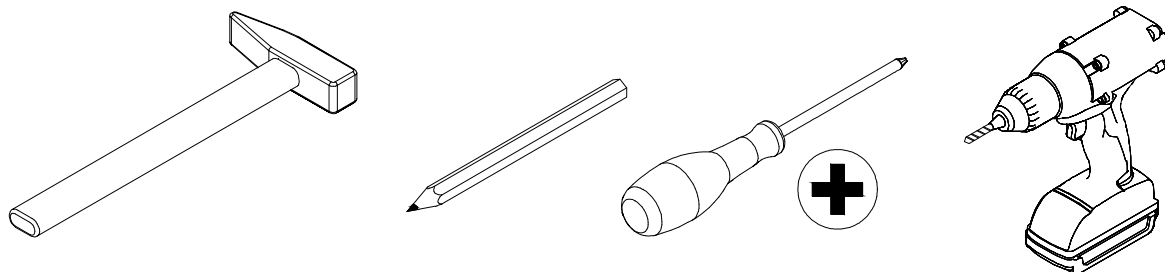


Melbourne Steel Cabinet w. Mesh Door

3001080







Ax4



39x13.5x10.5mm

Bx14



M5X12mm

Cx4



8.5x16x3mm

DX6



Ø5x13mm

Ex2



34x20x50mm

Fx8



17x13x17mm

Gx2

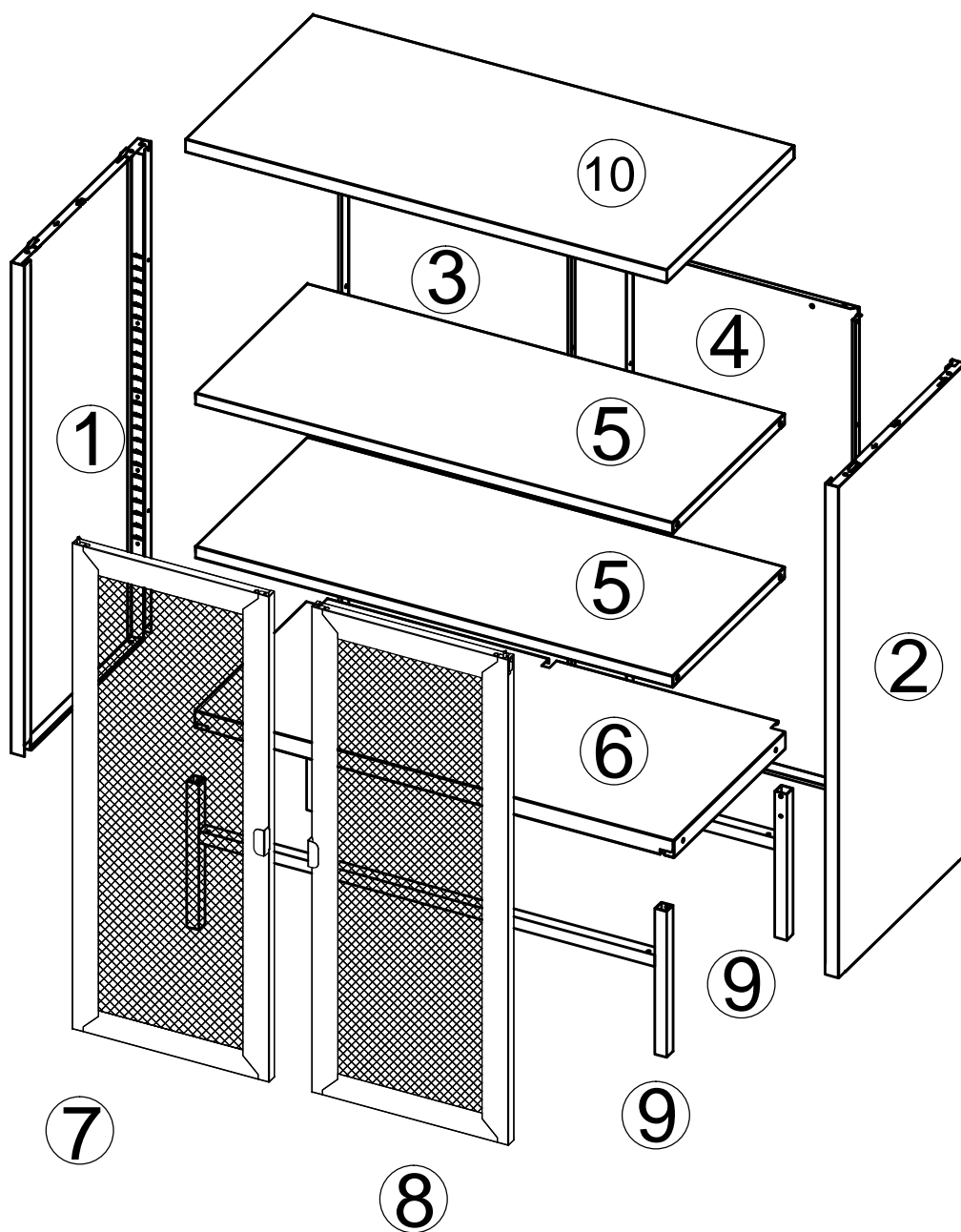


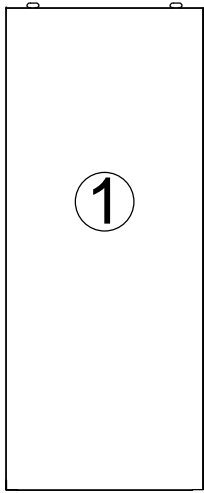
Ø4.8x22mm

Hx2



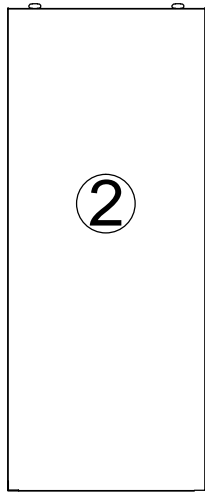
Ø5.5mm





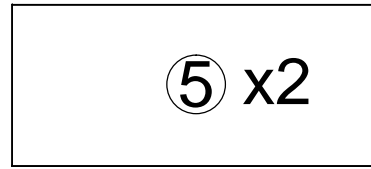
①

977.5x400x22.5mm



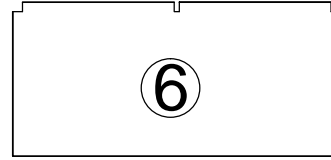
②

977.5x400x22.5mm



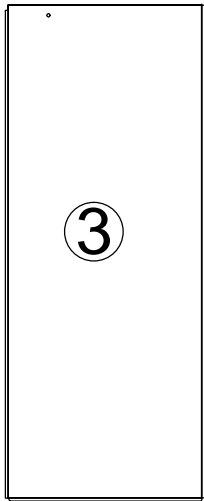
⑤ x2

794x373.5x20mm



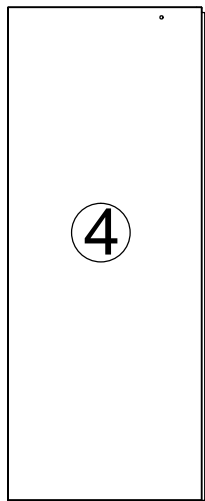
⑥

797x374.5x30mm



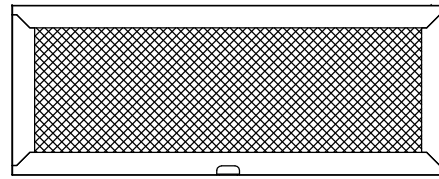
③

962.5x387x22.5mm



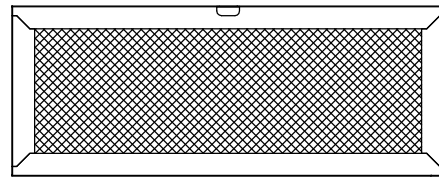
④

962.5x382x22.5mm



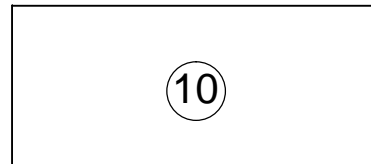
⑦

953.5x374.5x20mm



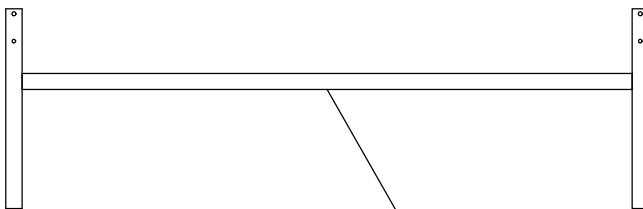
⑧

953.5x374.5x20mm



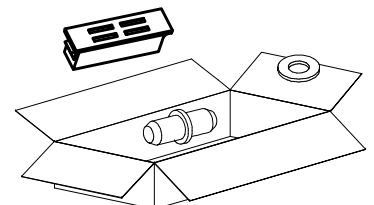
⑩

800x401.5x22.5mm



⑨ x2

298x798x20mm

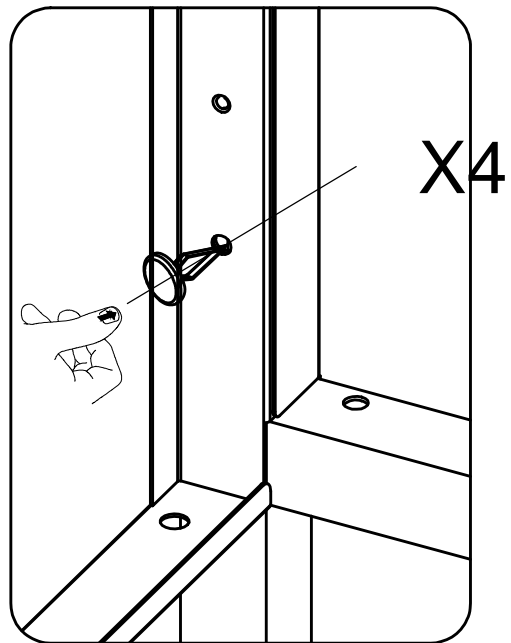
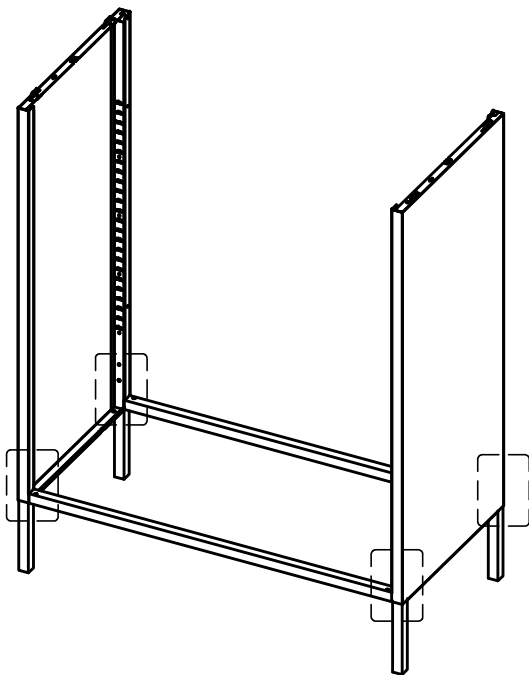
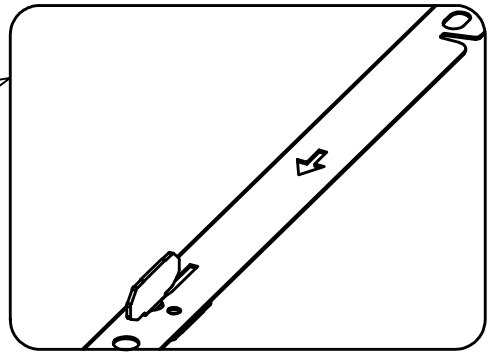
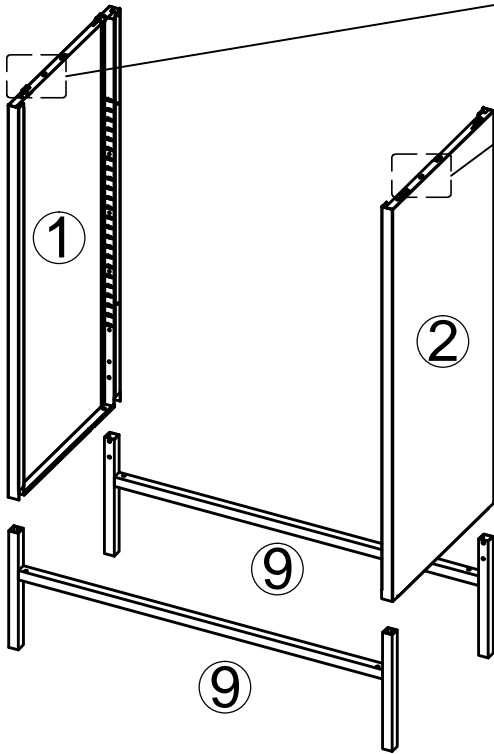


1

C × 4



8.5x16x3mm



2

B × 6

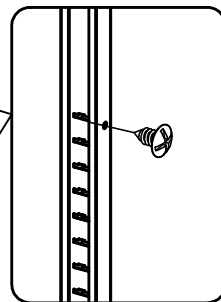
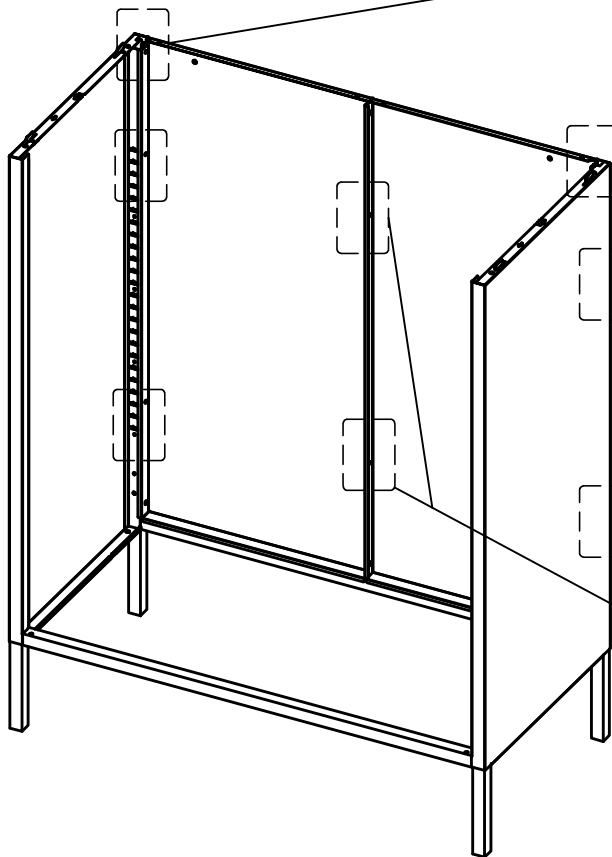
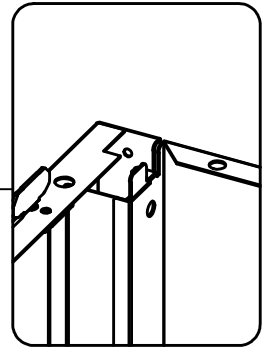
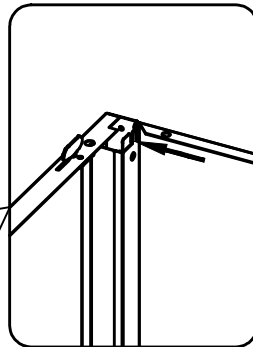
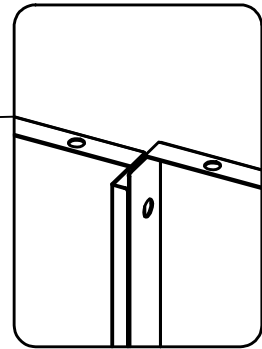
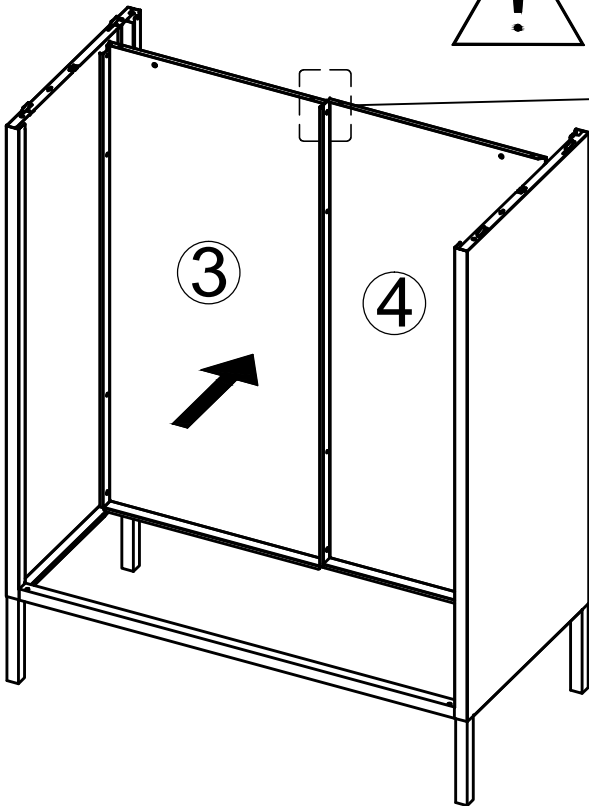
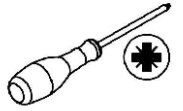


M5x12mm

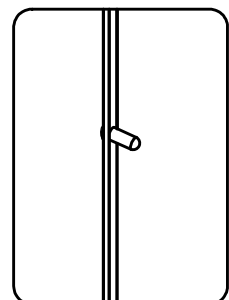
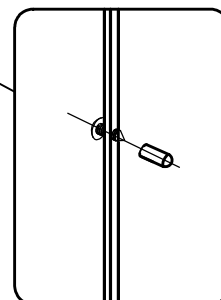
D × 2



Ø5x13mm



X4



X2

3

B × 4

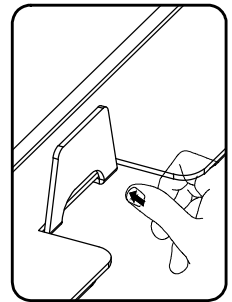
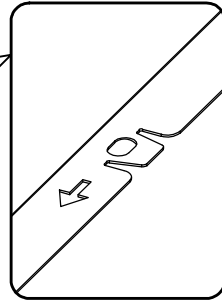
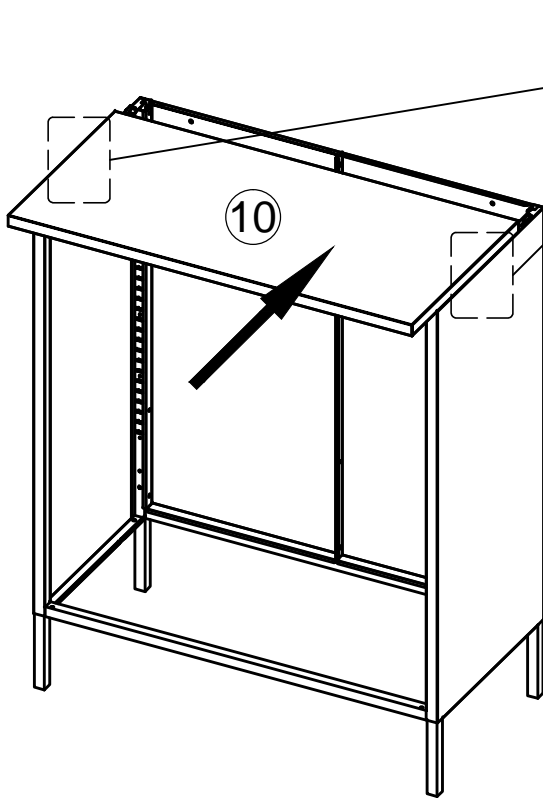
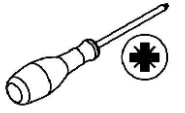


M5x12mm

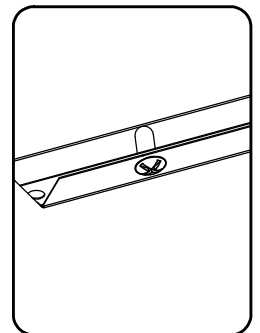
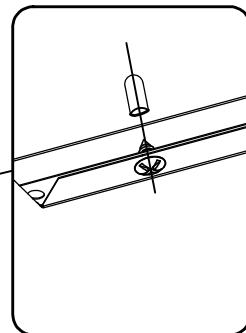
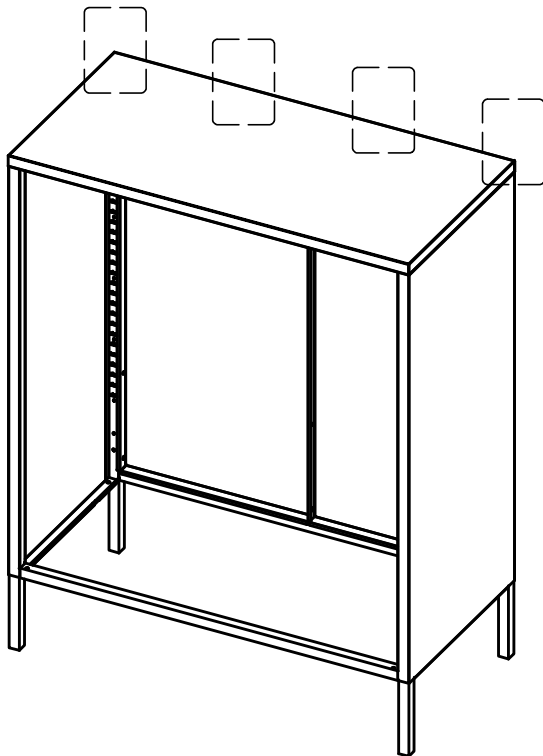
D × 4



Ø5x13mm



x2



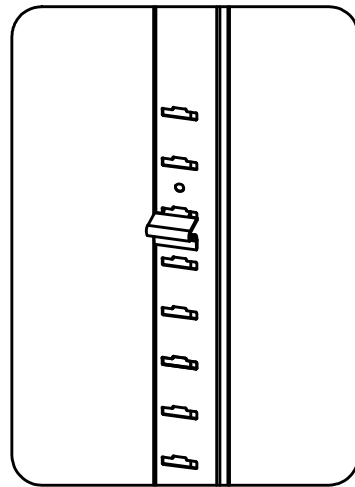
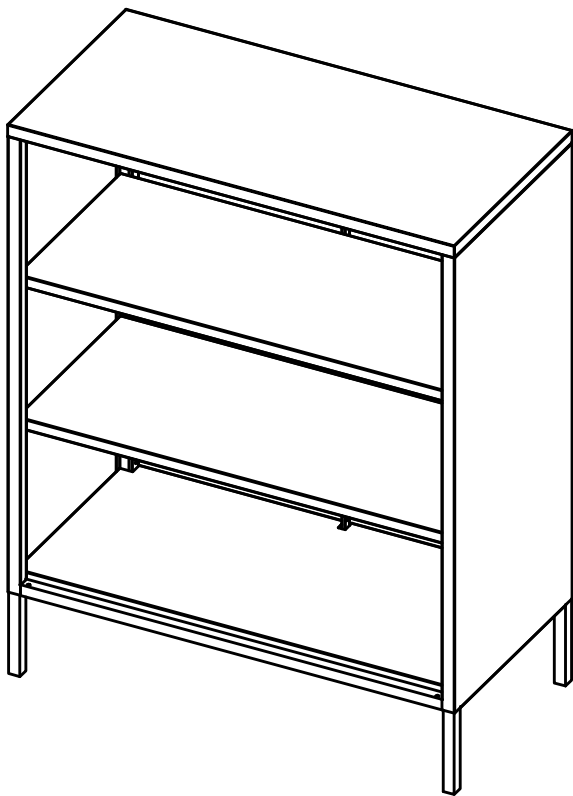
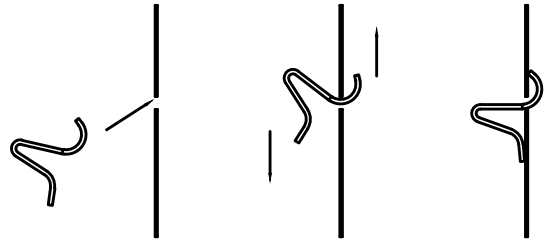
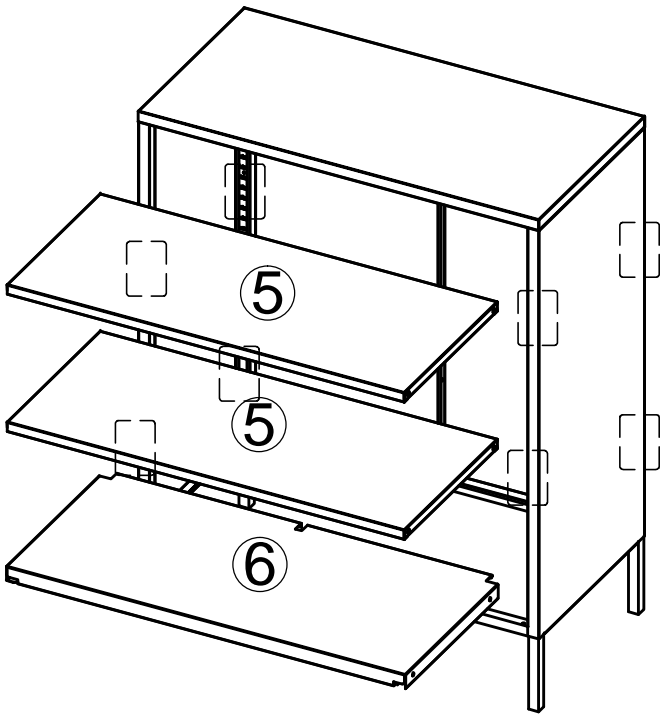
x4

4

F x 8






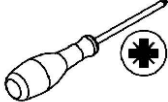


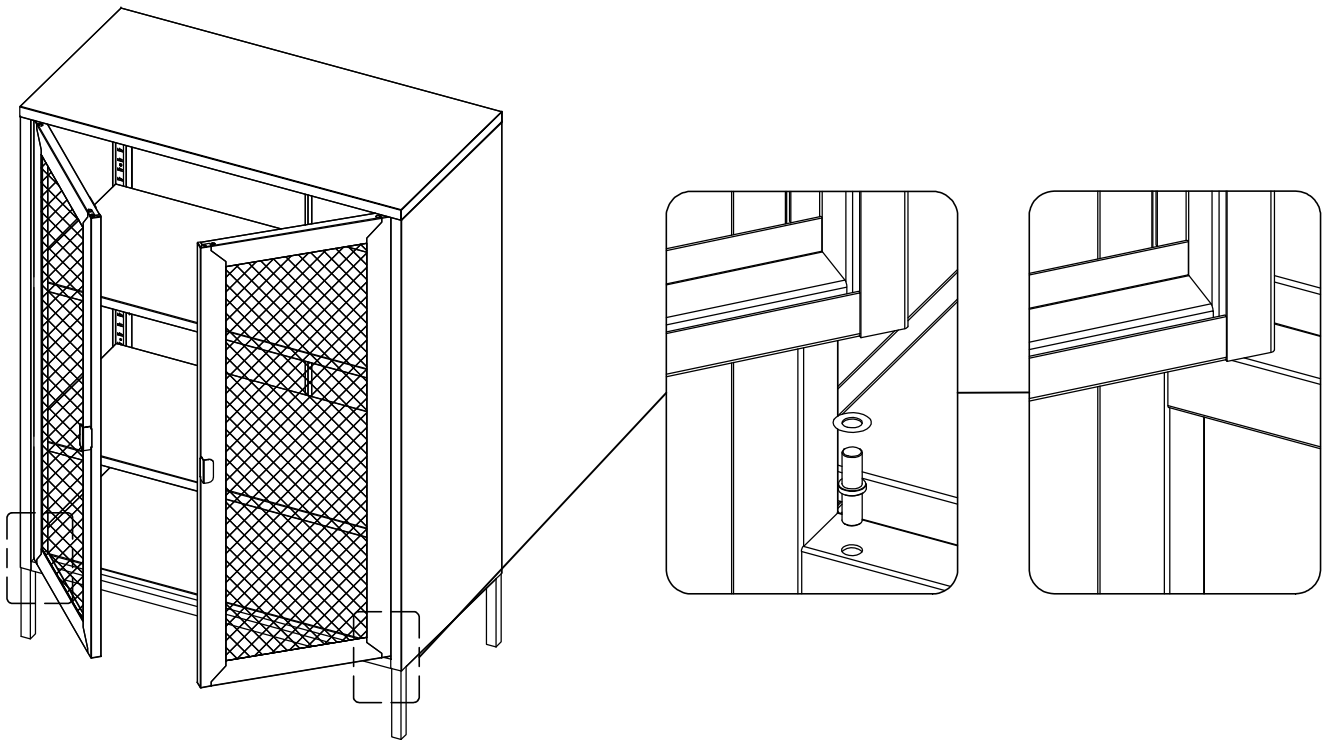
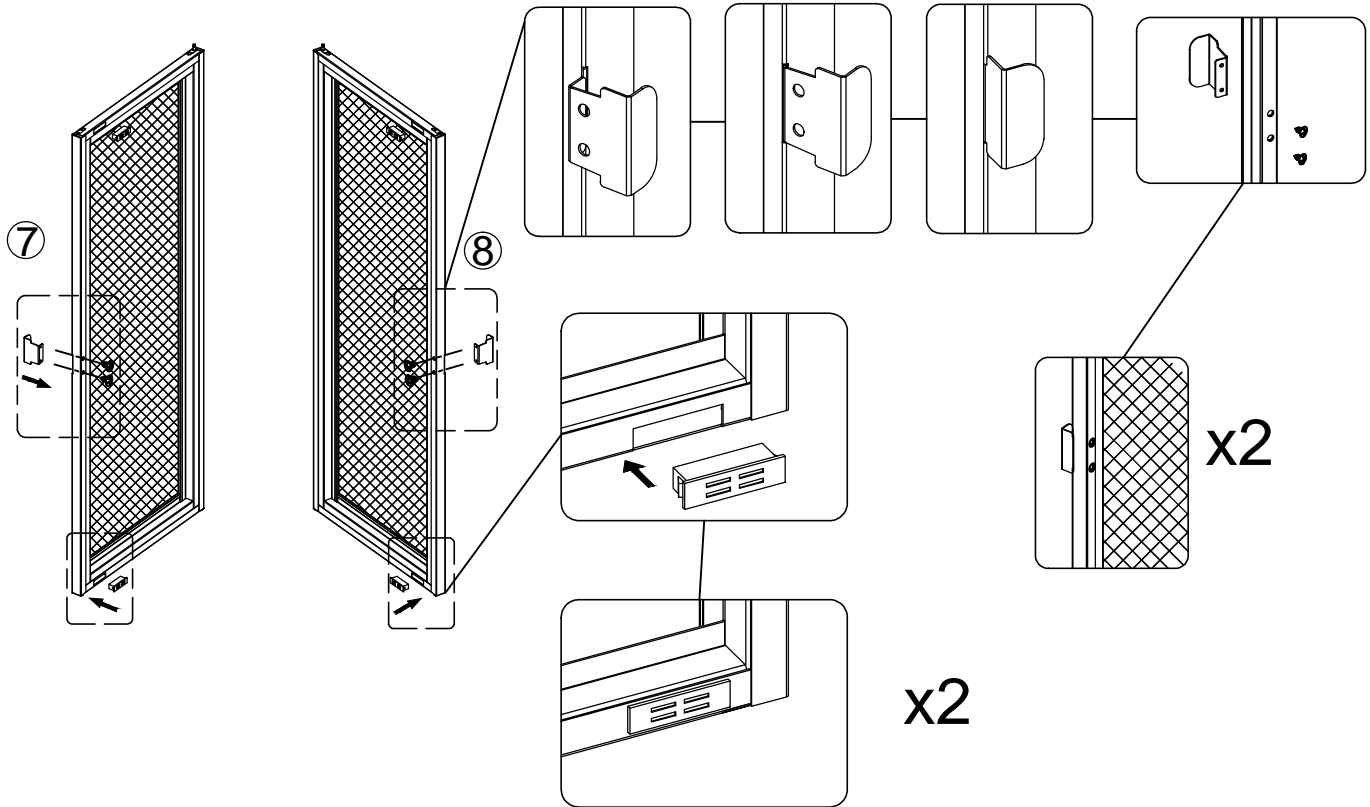
17x13x17mm



x8

5

<p>A × 4 39x13.5x10.5mm</p> 	<p>E × 2 34x20x50mm</p> 	<p>G × 2 Ø4.8x22mm</p> 	<p>H × 2 Ø5.5mm</p> 	<p>B × 4 M5x12mm</p> 	
---	---	--	---	--	---



6

