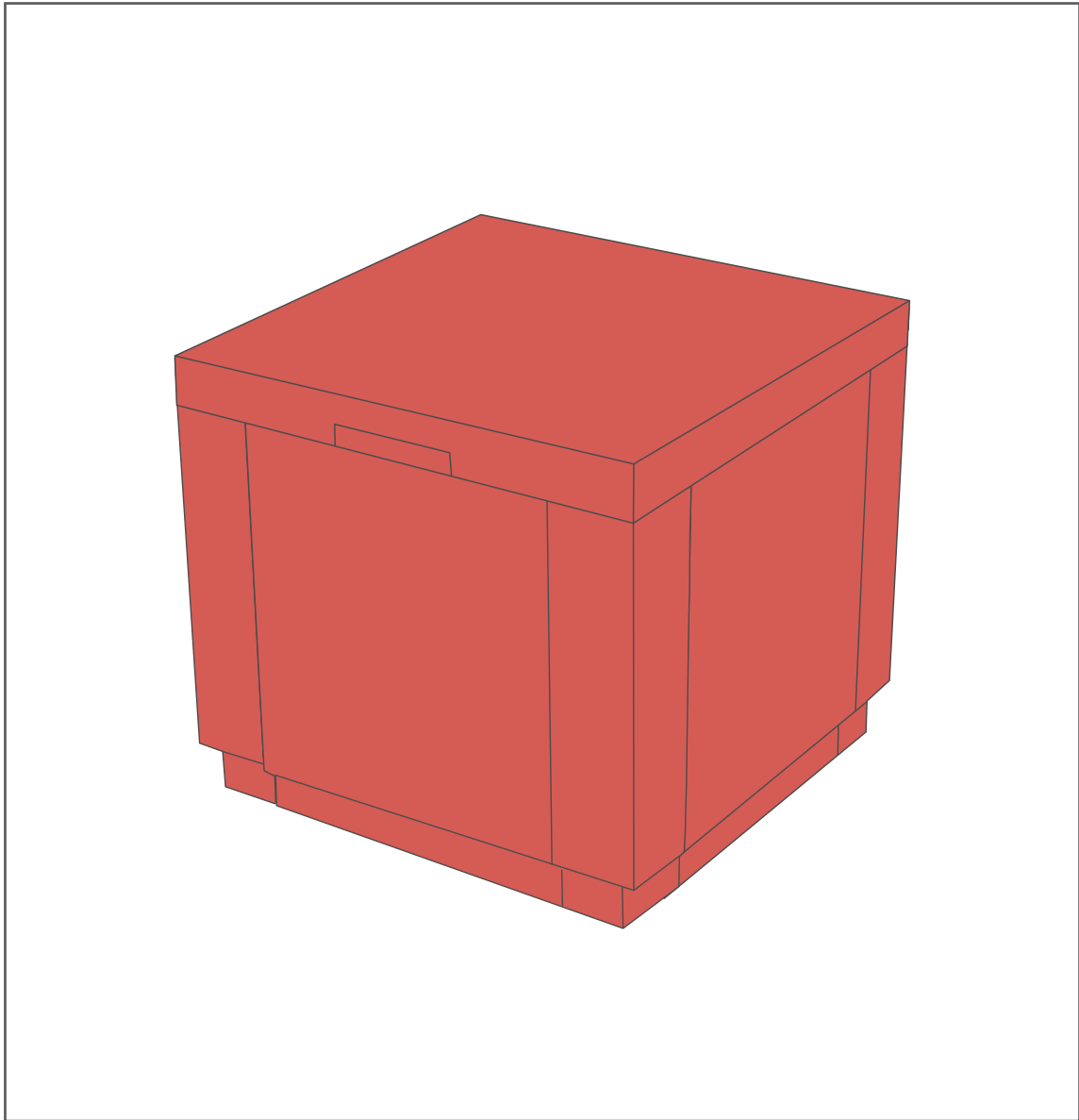


# CUBE

---



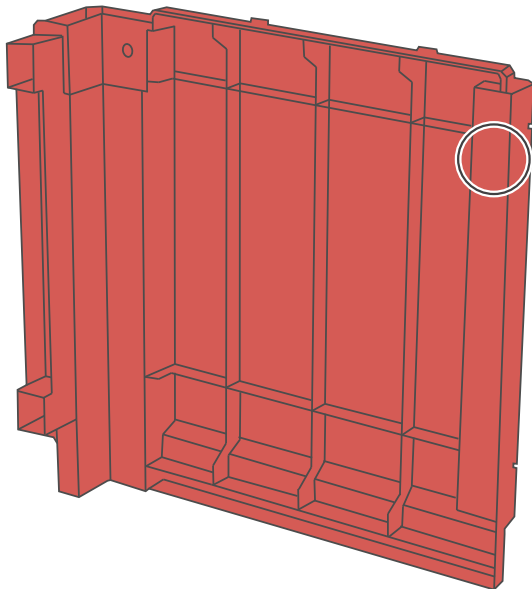
"CUBE" V0.3 / 543268 / 442000



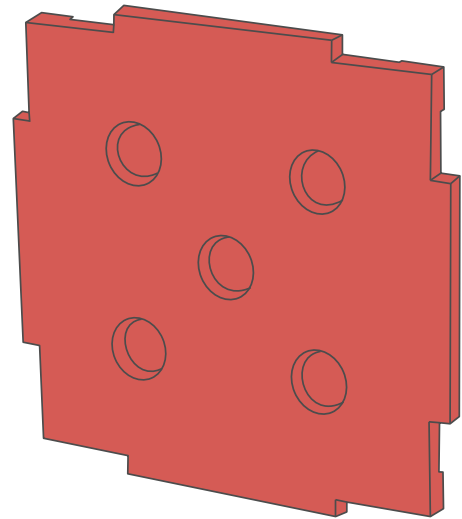
543268



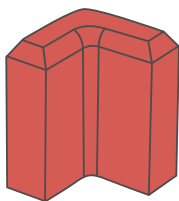
NEN 581



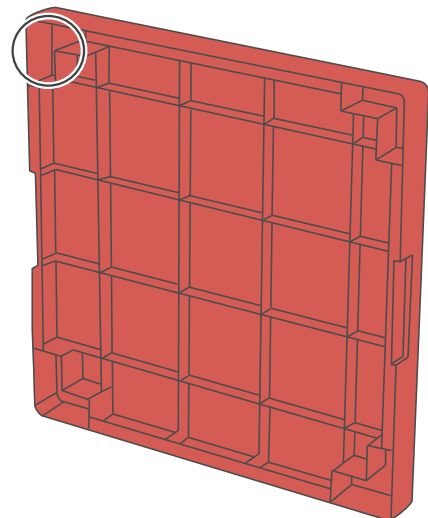
CS (4x)



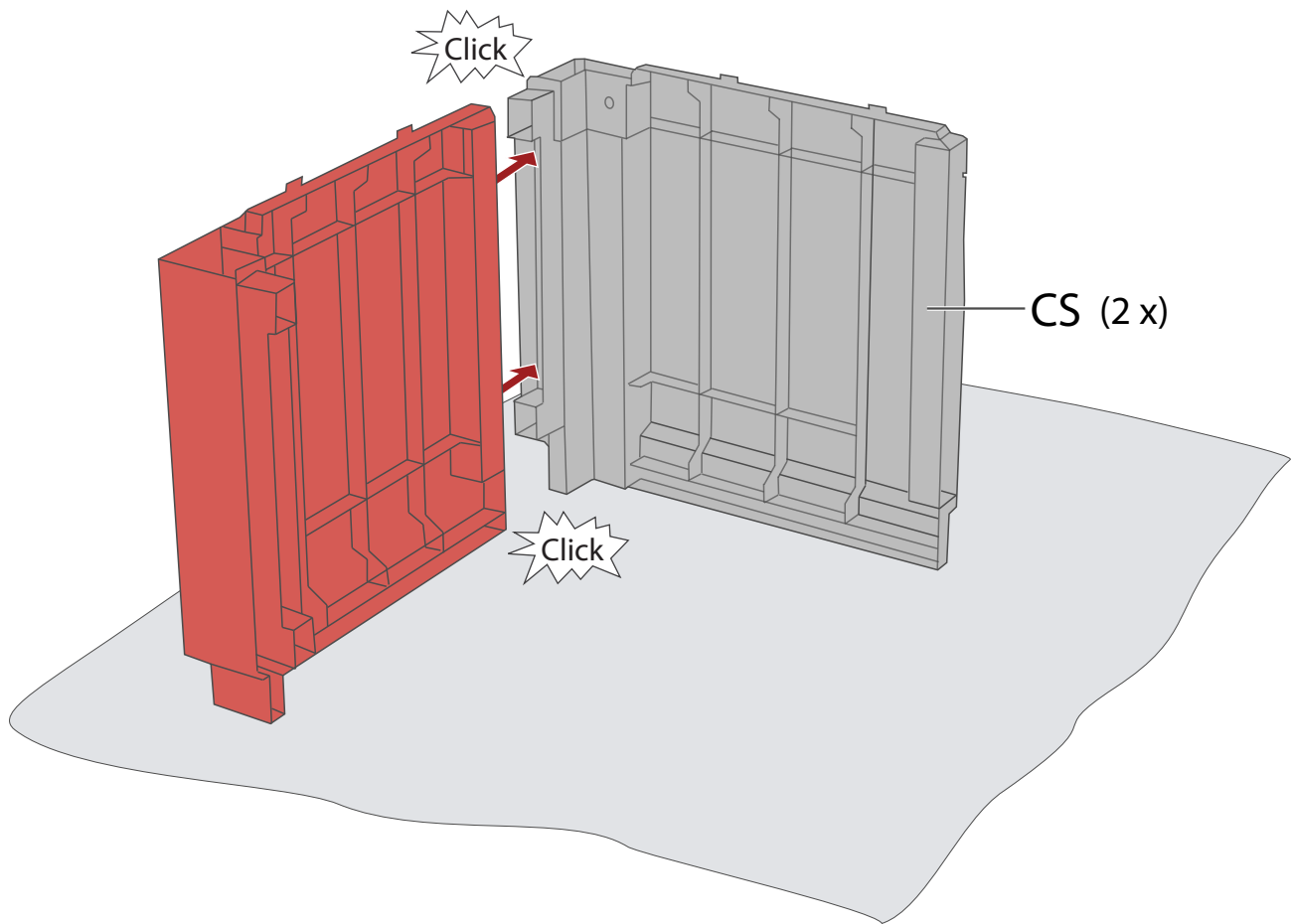
CB (1x)



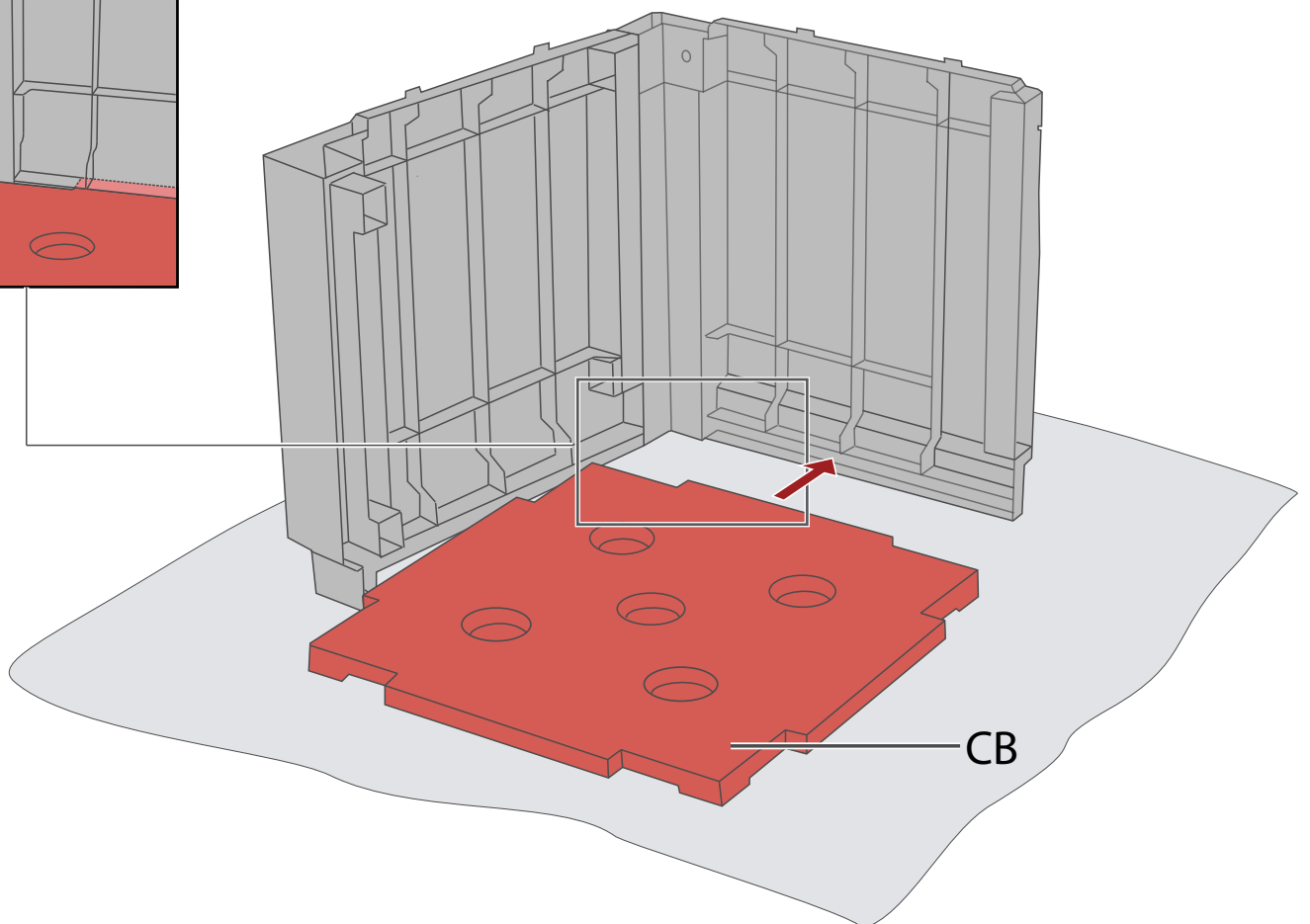
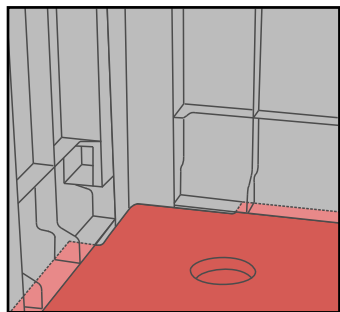
B (4x)



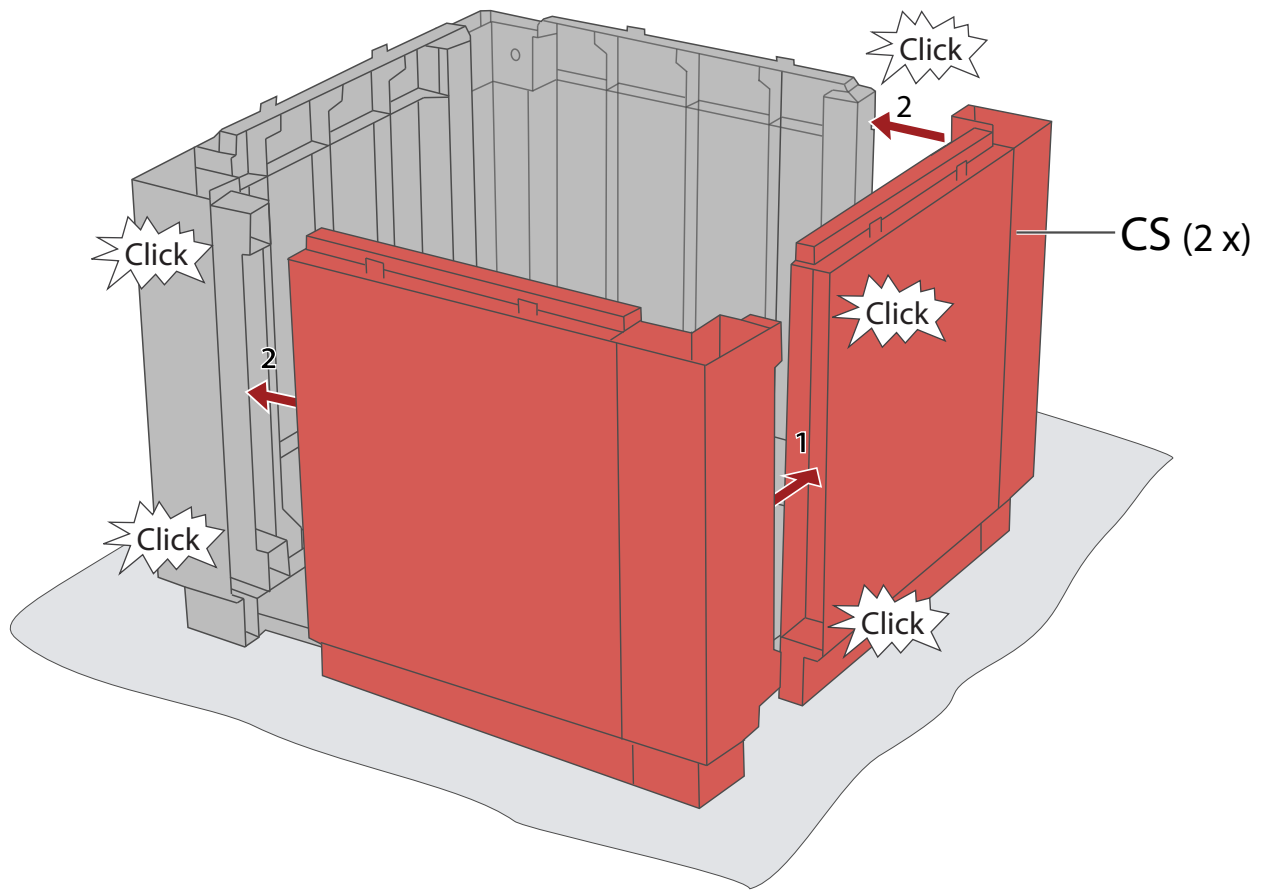
CL (1x)



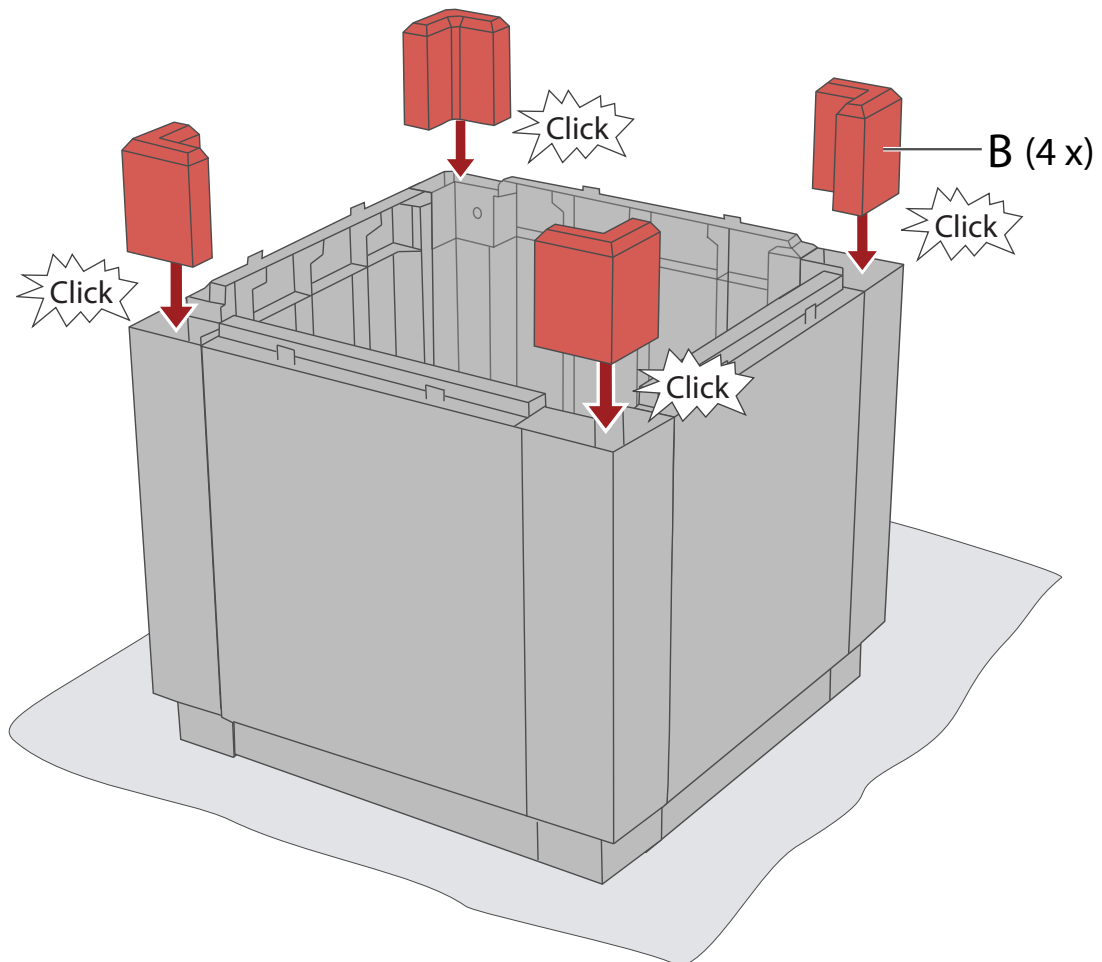
1



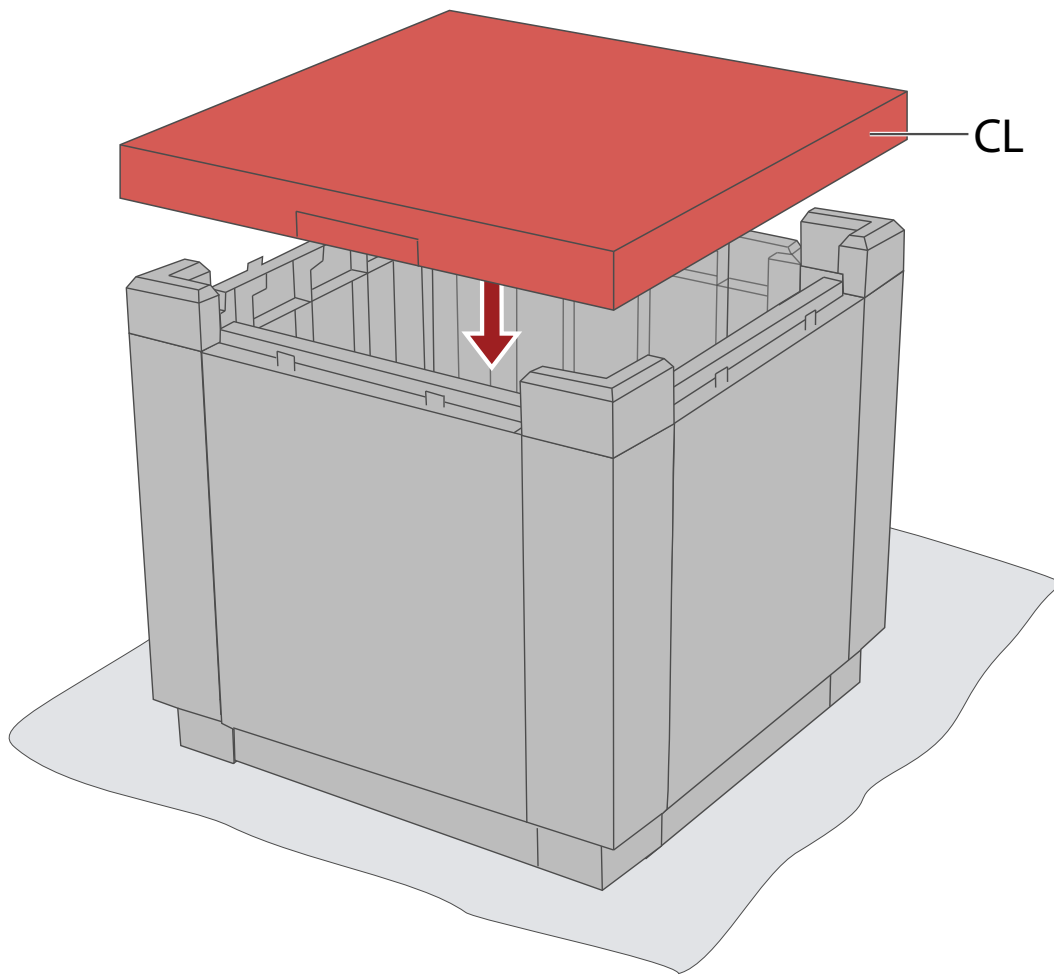
2



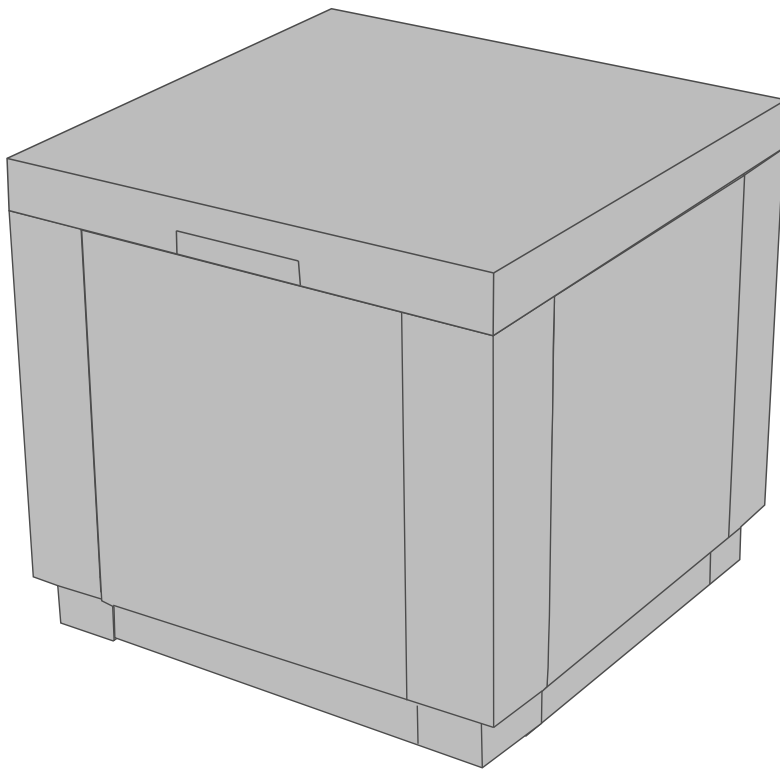
3



4



5



6