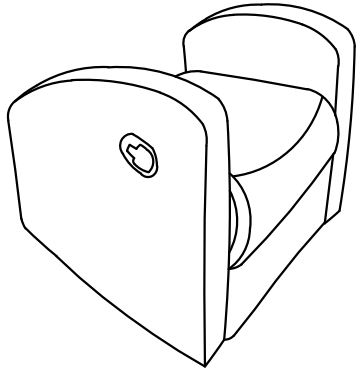
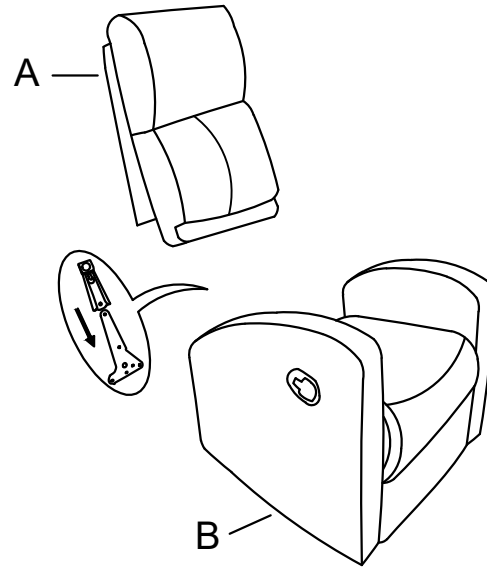


ASSEMBLY INSTRUCTION

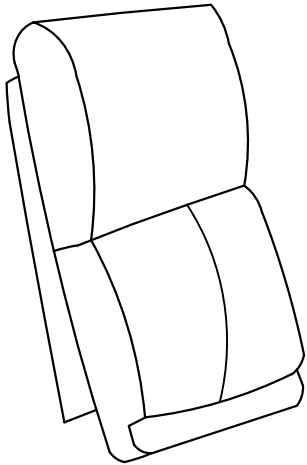
A*1



①



B*1



②

