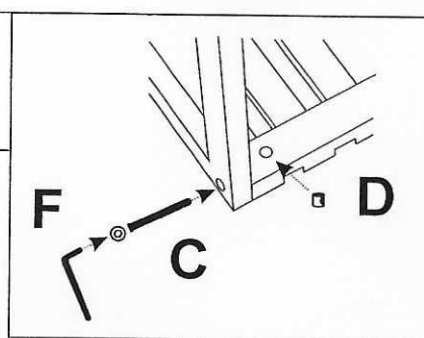
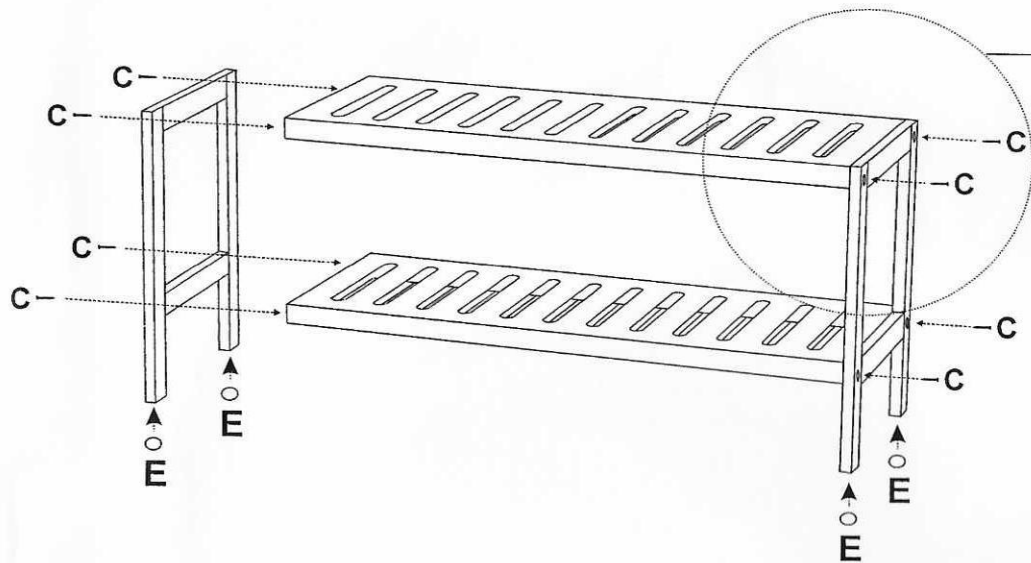
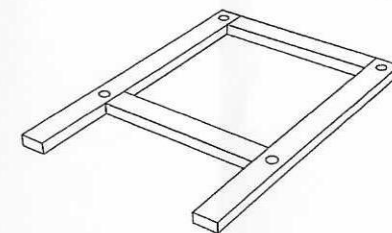


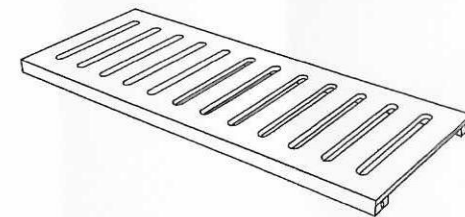
STEP1



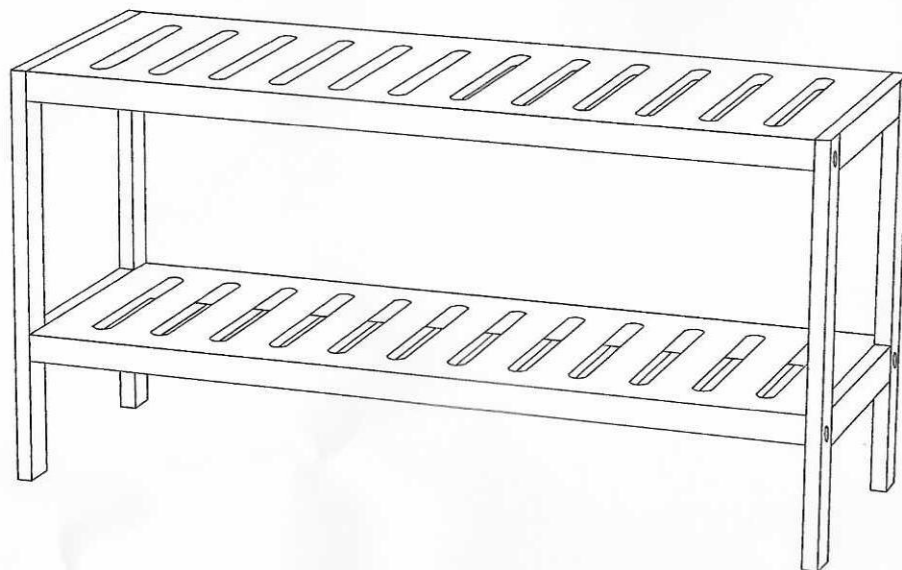
A 2 PCS



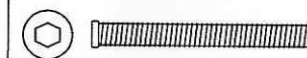
B 2 PCS



STEP2



C 8 PCS **D** 8 PCS



∅ 5x45mm



∅ 8x10mm

E 4 PCS **F** 1 PC



∅ 11x4mm

