





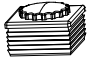

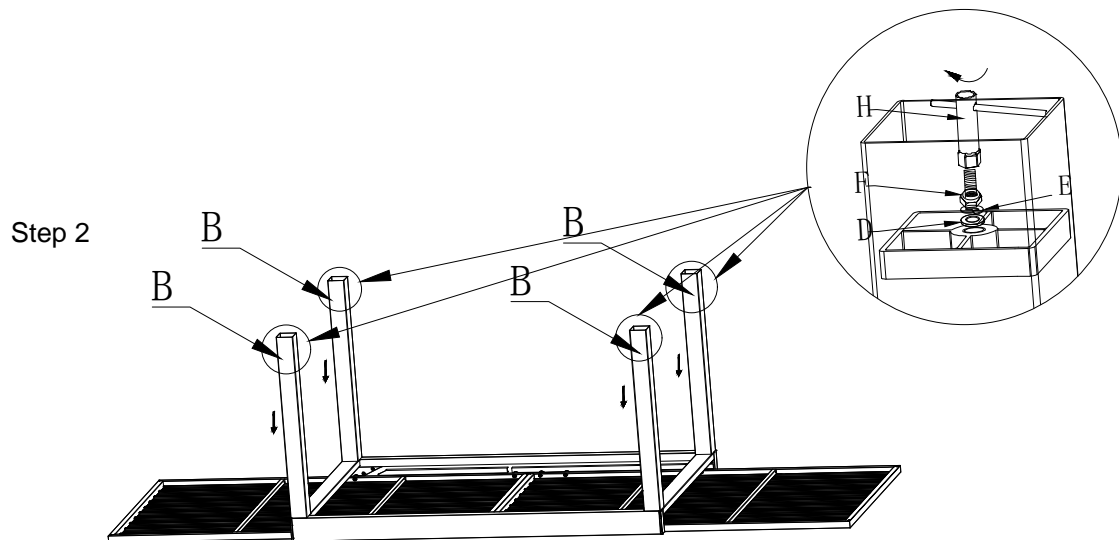
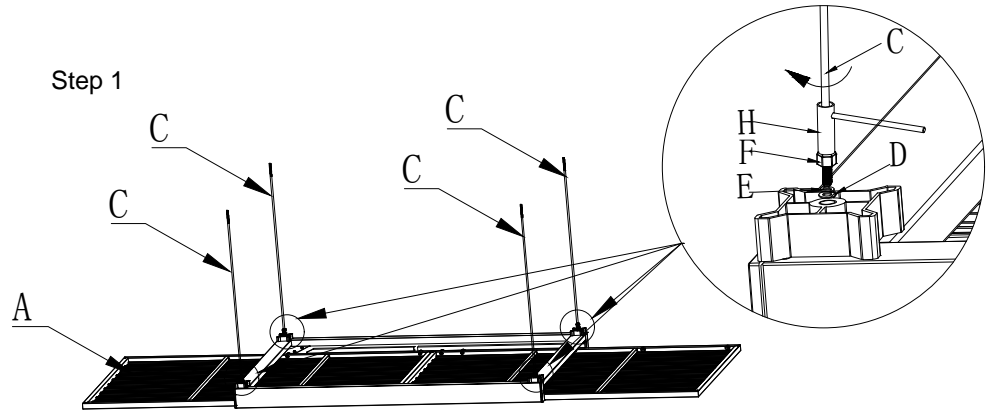
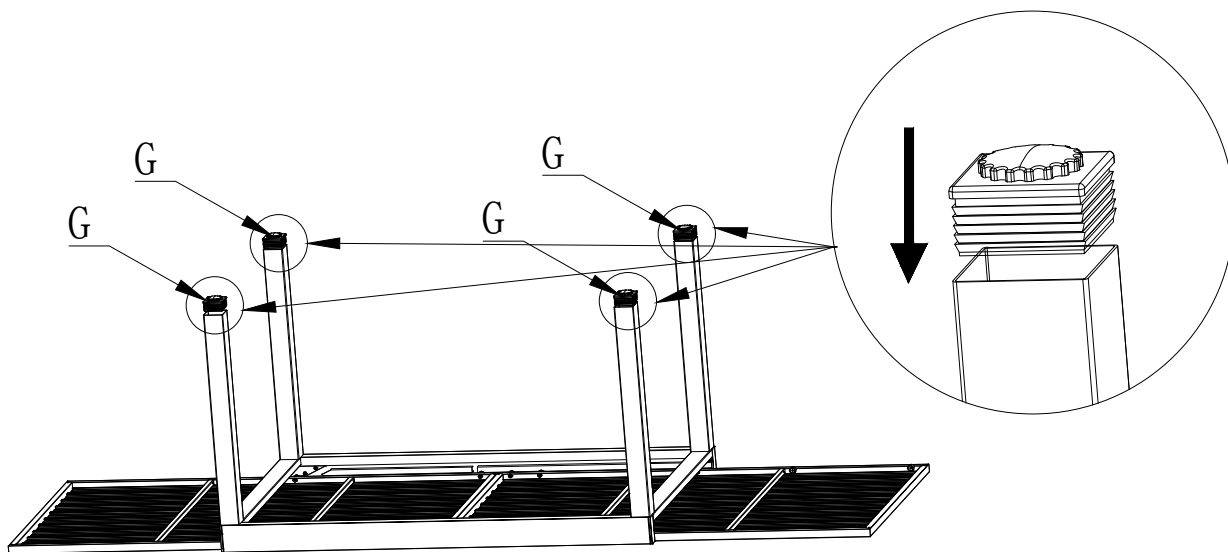


Item 60923, Alu polywood ext.table 90x135/270x75cm Assembly Instruction

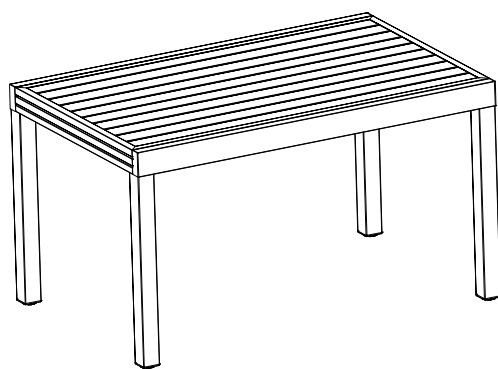
| Photo | Part No. | Qty |
|---|----------|-----|
|  | A | 1 |
|  | B | 4 |
|  | C | 4 |
|  $\phi 16 * \phi 8.5 * 1.0$ | D | 8 |
|  $\phi 13 * \phi 8.0 * 2.0$ | E | 8 |
|  | F | 8 |
|  | G | 4 |
|  | H | 1 |



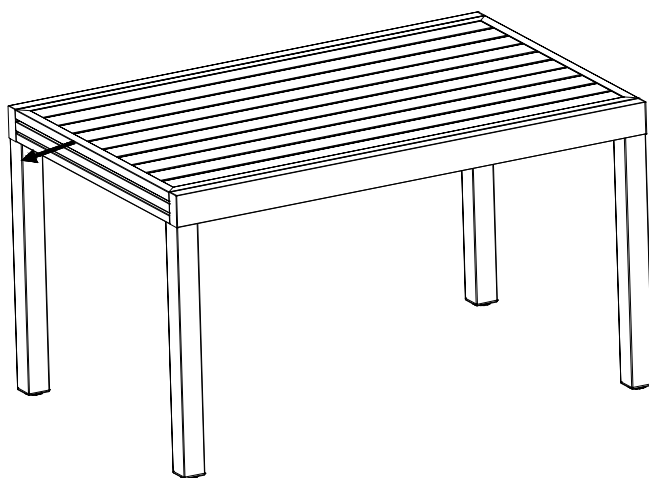
Step 3



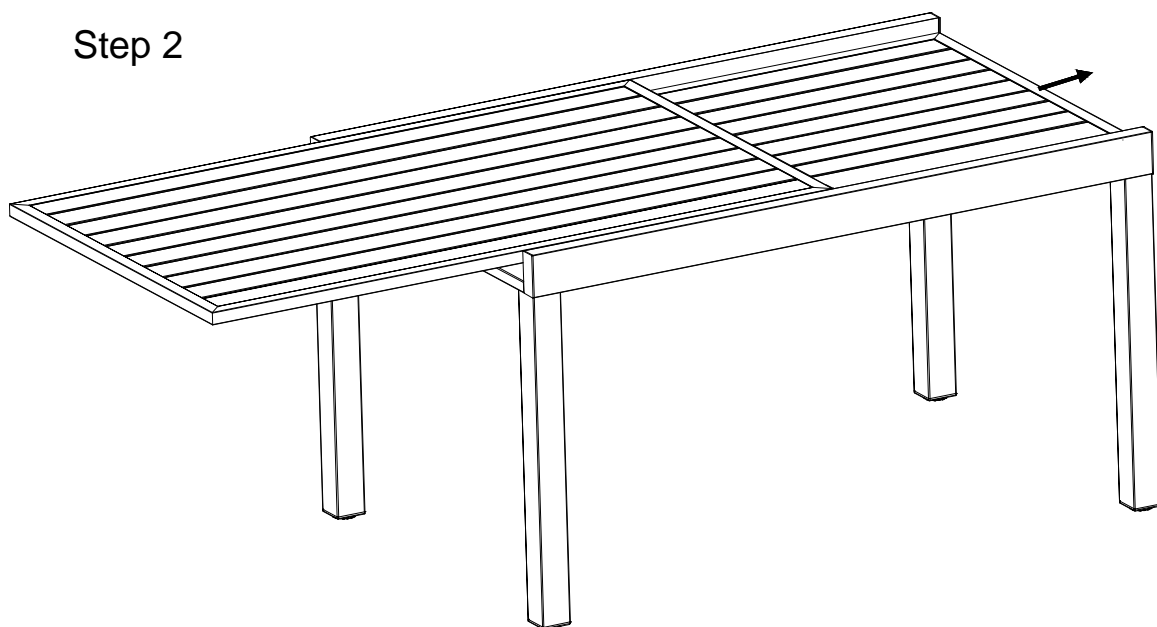
Step 4



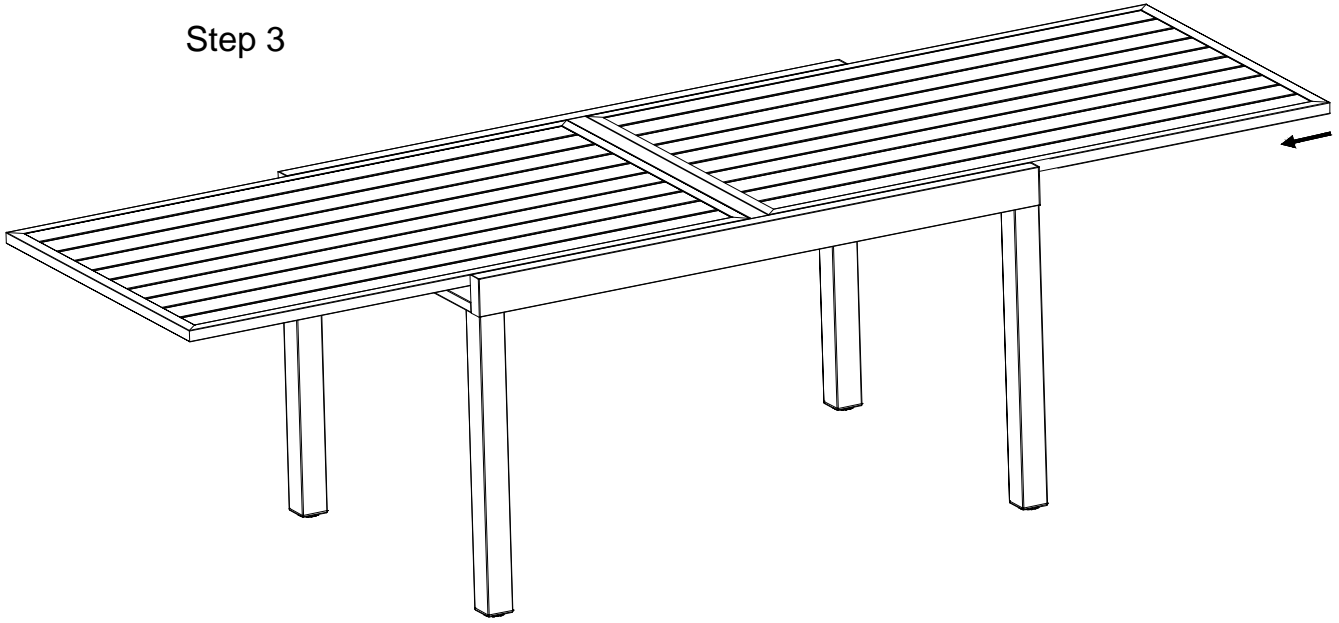
Step 1



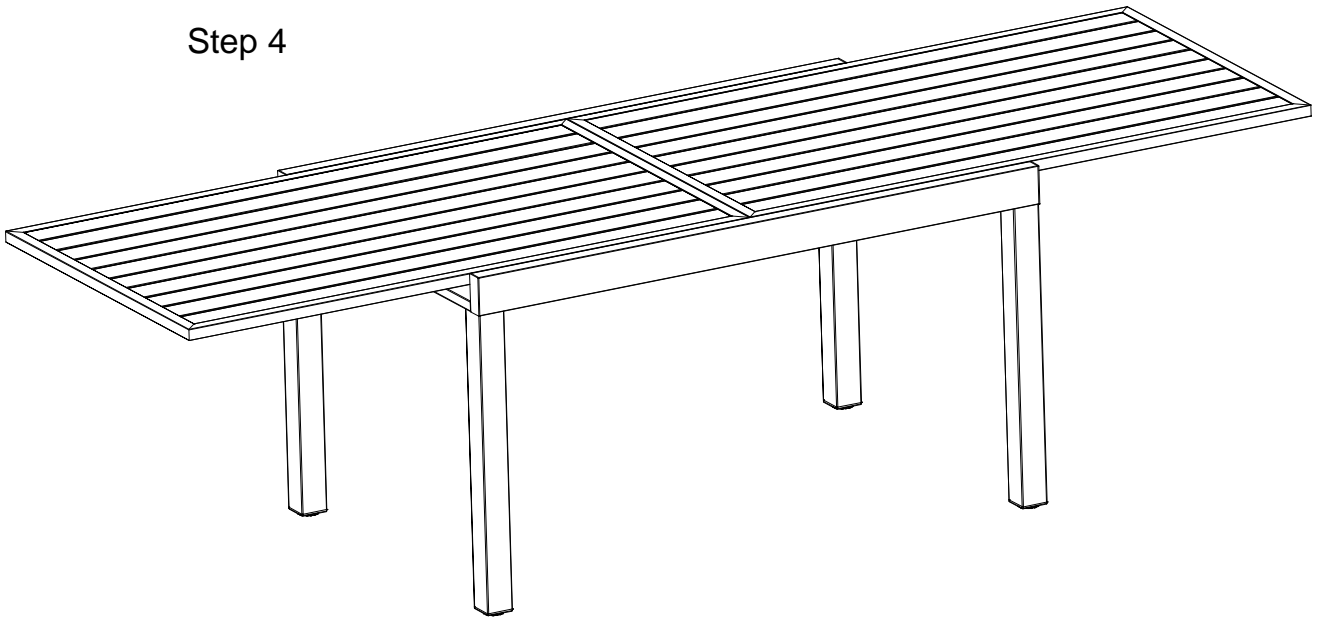
Step 2



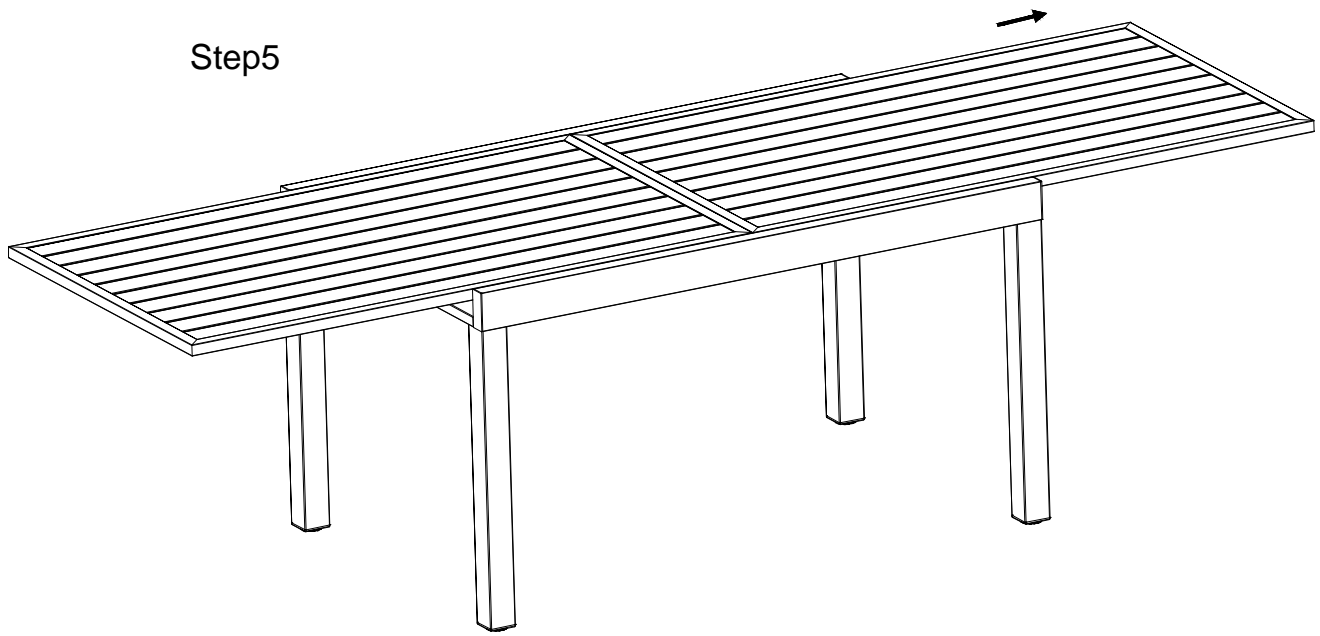
Step 3



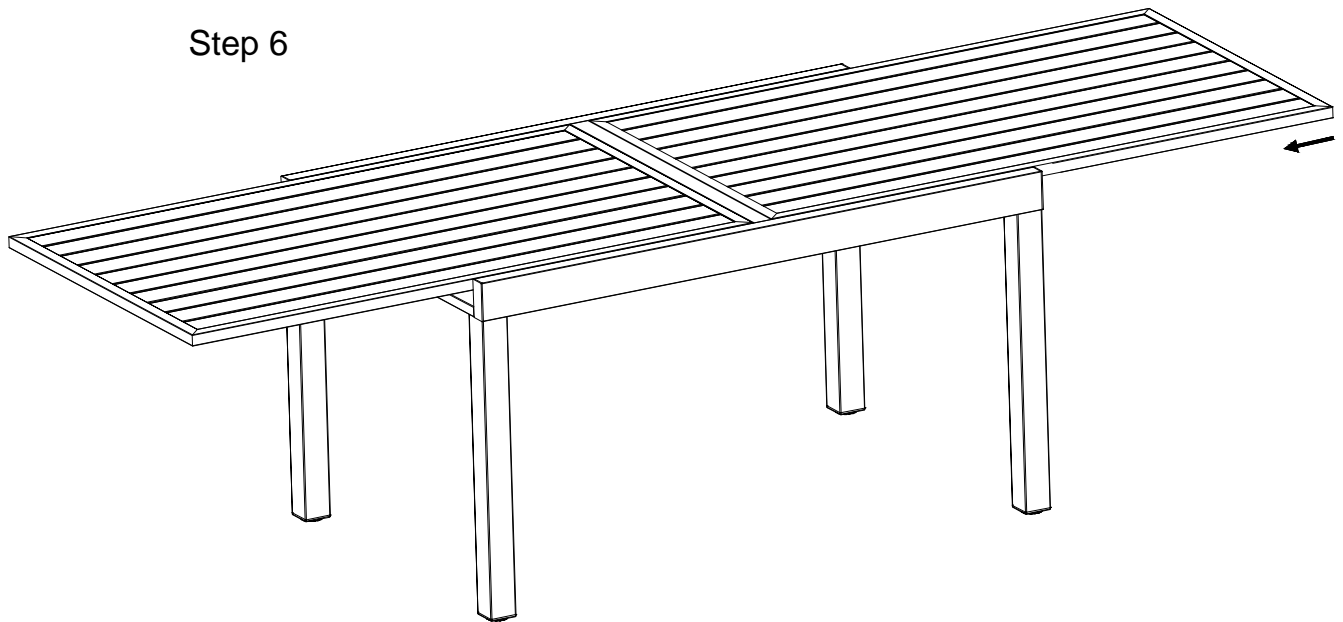
Step 4



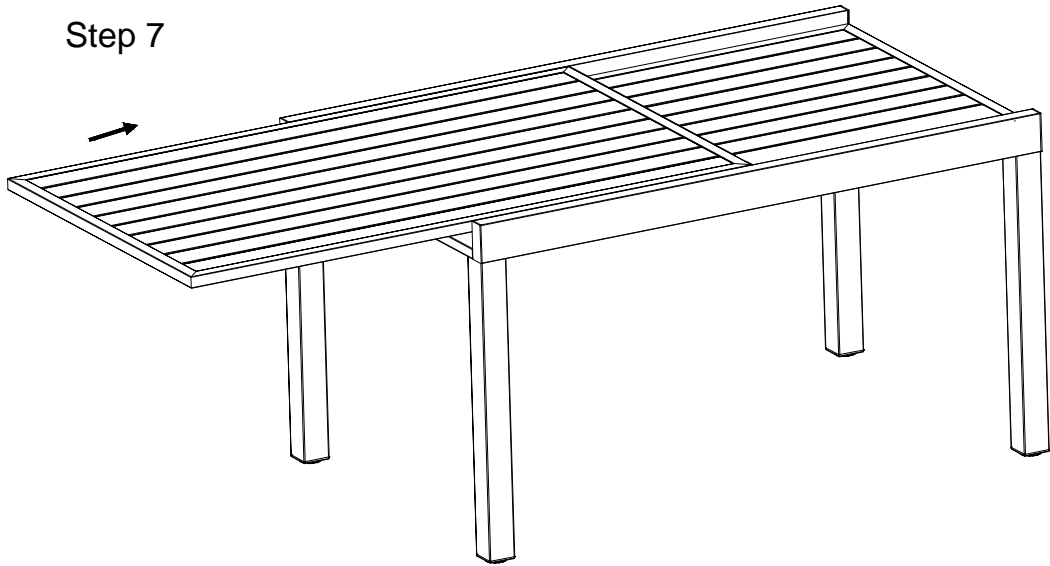
Step 5



Step 6



Step 7



Step 8

