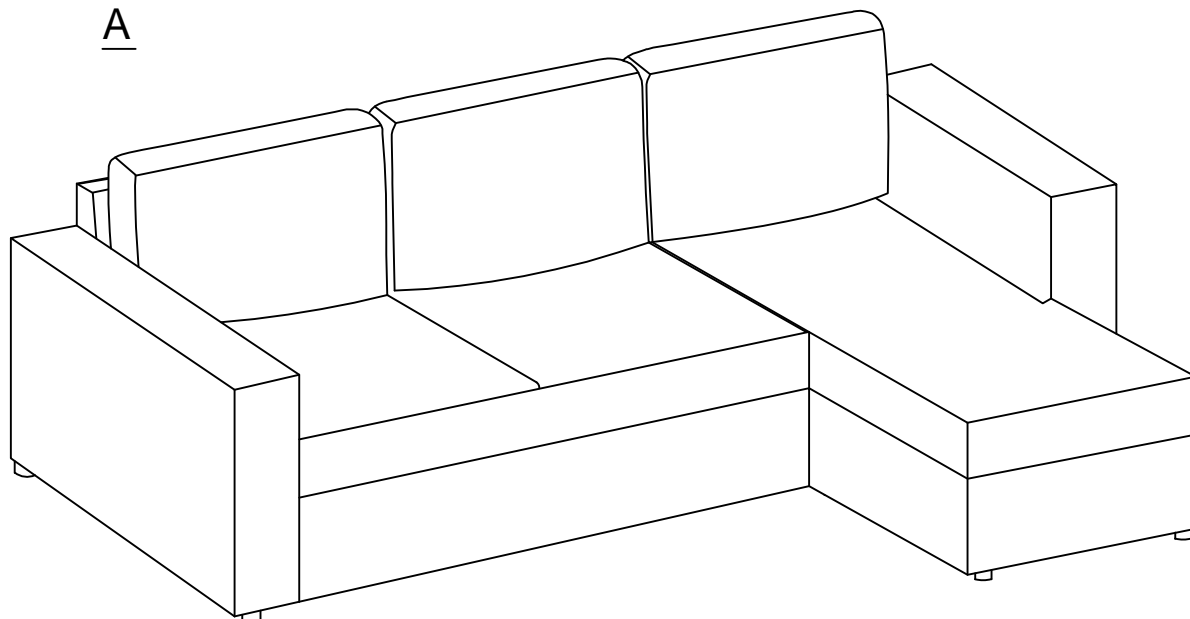
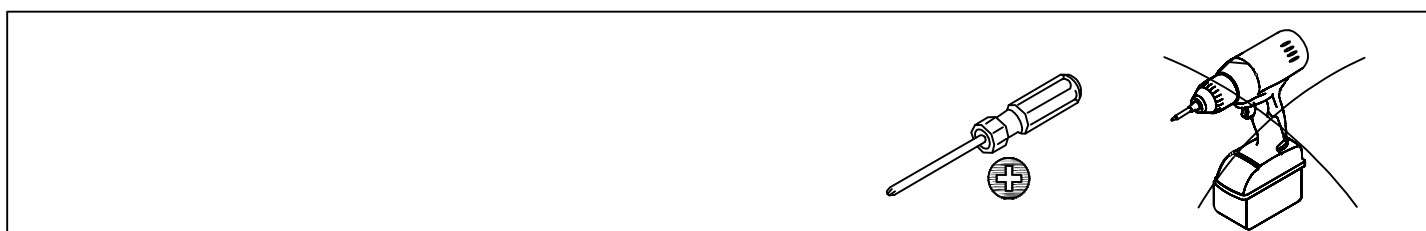
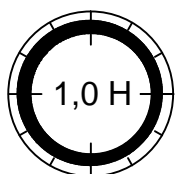
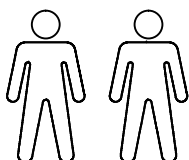
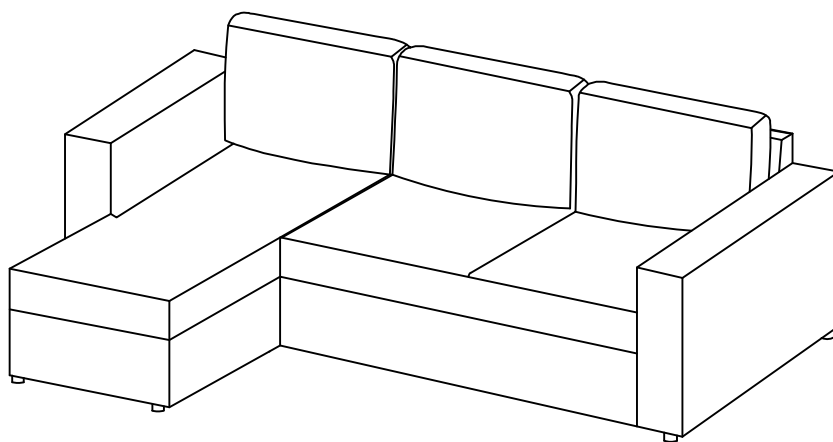


# CONAN

A

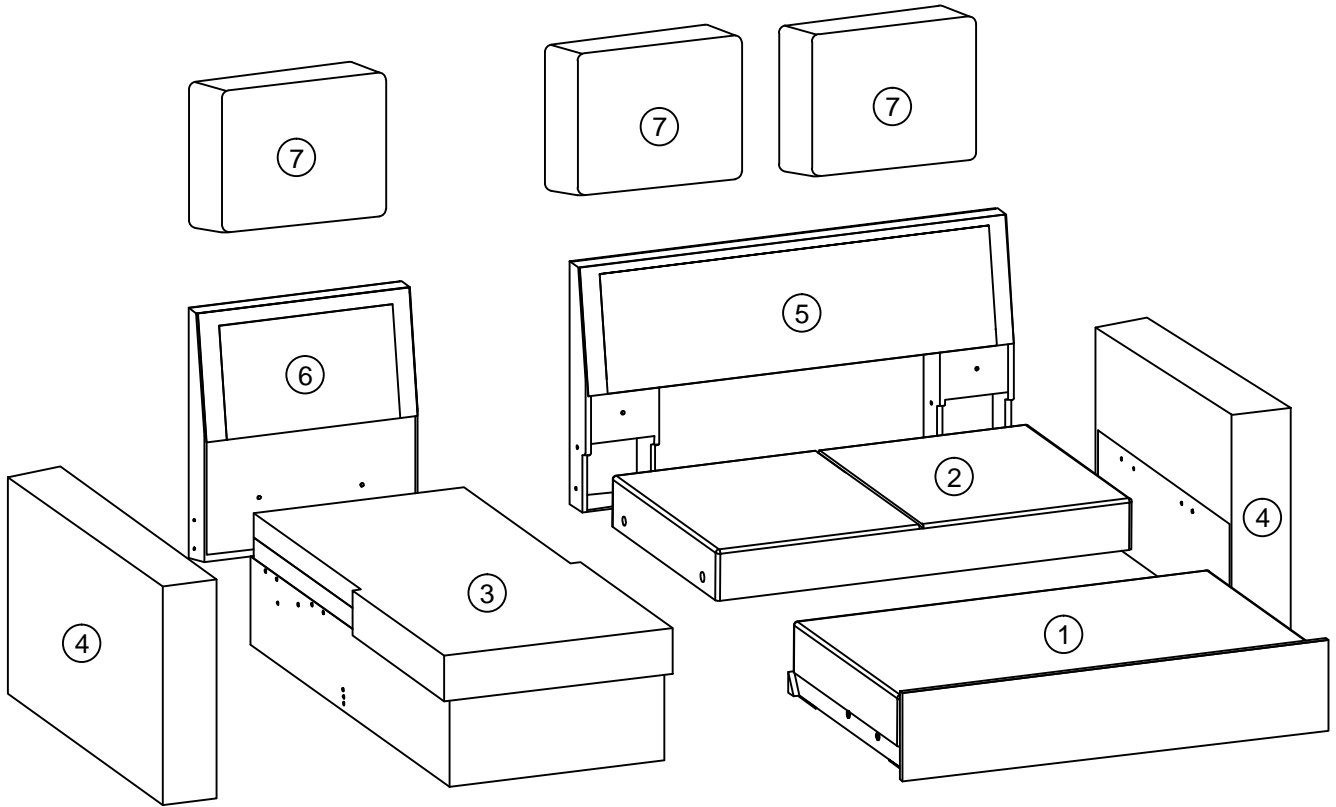


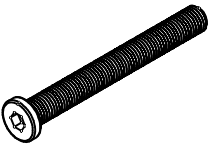
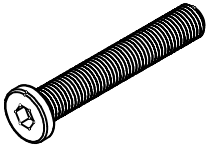
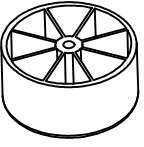
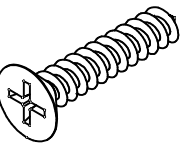
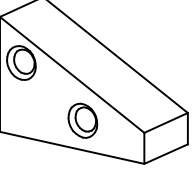

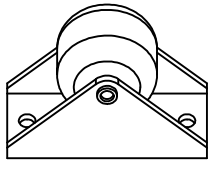
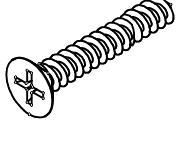
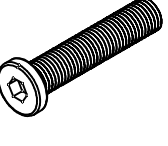
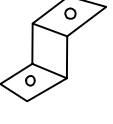

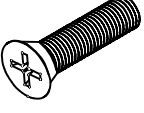
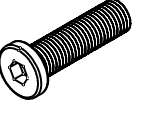
B



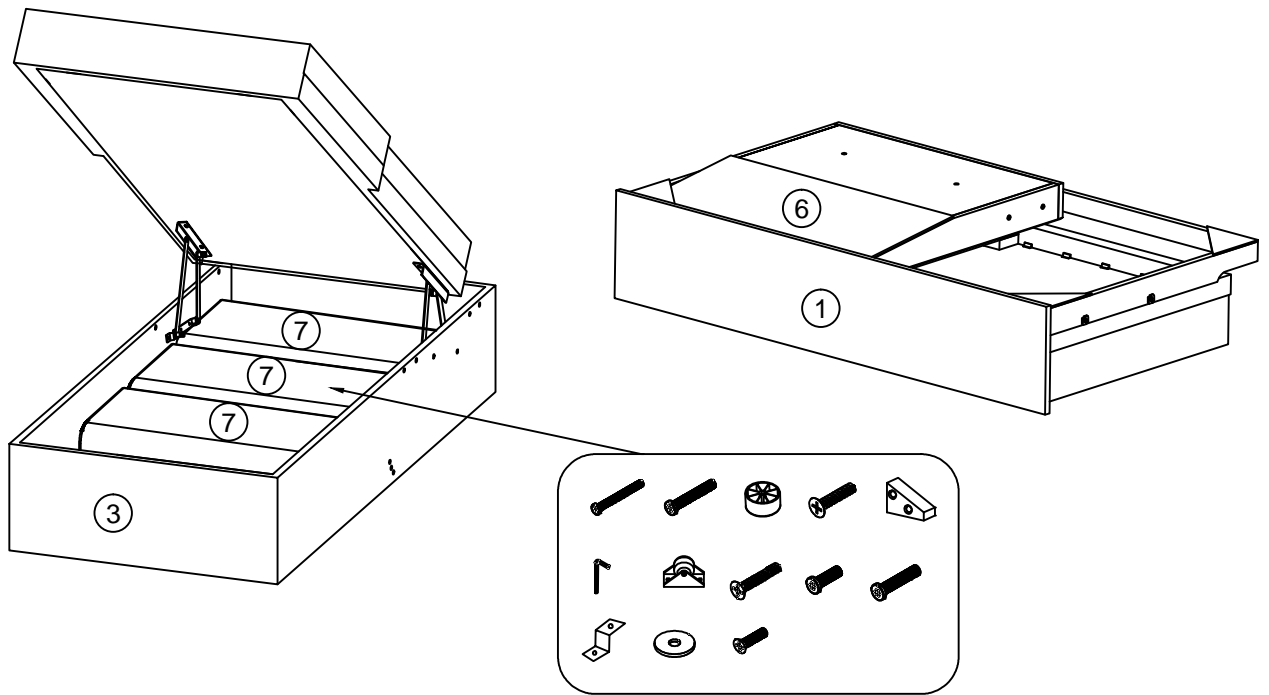
			✓
①	1	1280x760x250	
②	1	1310x760x180	
③	1	1435x720x445	
④	2	870x215x545	

			✓
⑤	1	1300x115x710	
⑥	1	665x115x710	
⑦	3	690x420x230	

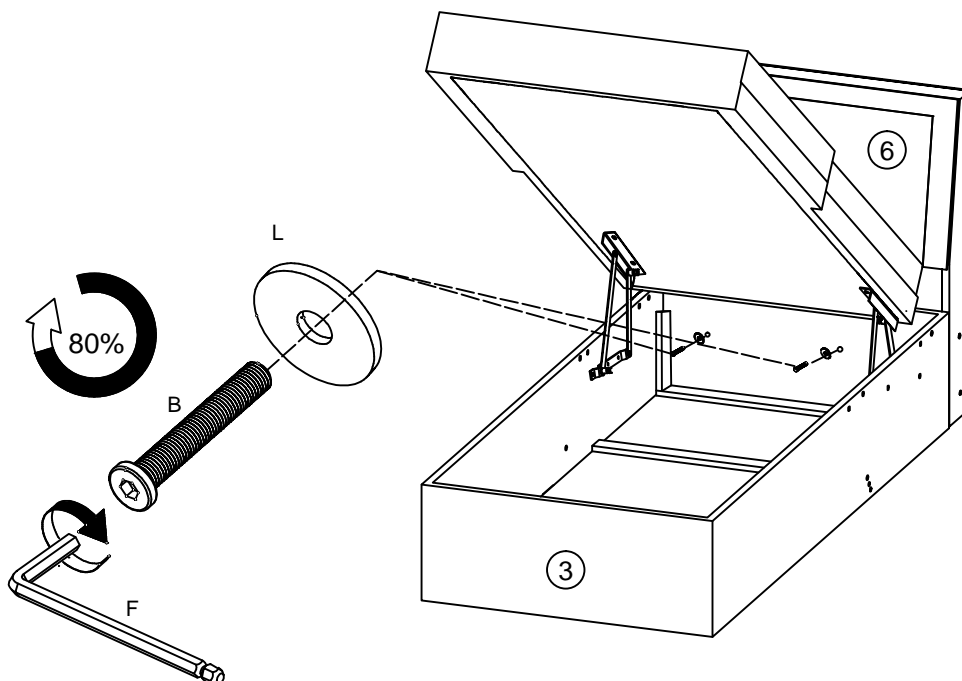
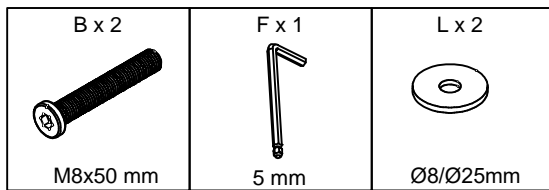


<p>A x 2</p>  <p>M8x75 mm</p>	<p>B x 8</p>  <p>M8x50 mm</p>	<p>C x 8</p>  <p>Ø50x35mm</p>	<p>D x 8</p>  <p>Ø5x30mm</p>	<p>E x 2</p>  <p>45x28x15 mm</p>
<p>F x 1</p>  <p>5 mm</p>	<p>G x 4</p>  <p>Ø67x49mm</p>	<p>H x 8</p>  <p>Ø4x25mm</p>	<p>J x 6</p>  <p>M8x30 mm</p>	<p>K x 4</p>  <p>93x30x30mm</p>
<p>L x 10</p>  <p>Ø8/Ø25mm</p>	<p>M x 4</p>  <p>M6x25mm</p>	<p>N x 2</p>  <p>M8x20 mm</p>		

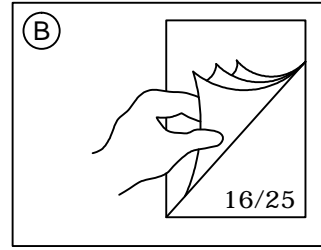
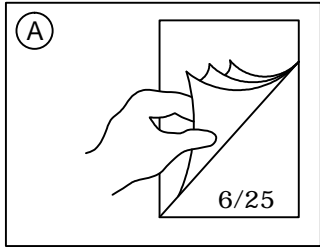
# 1



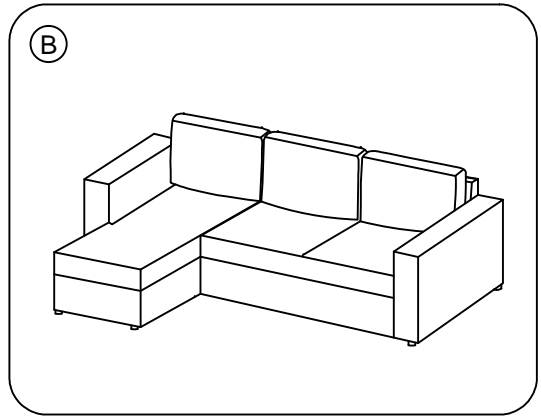
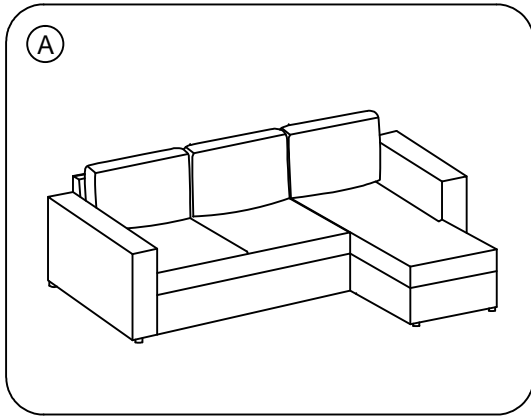
# 2



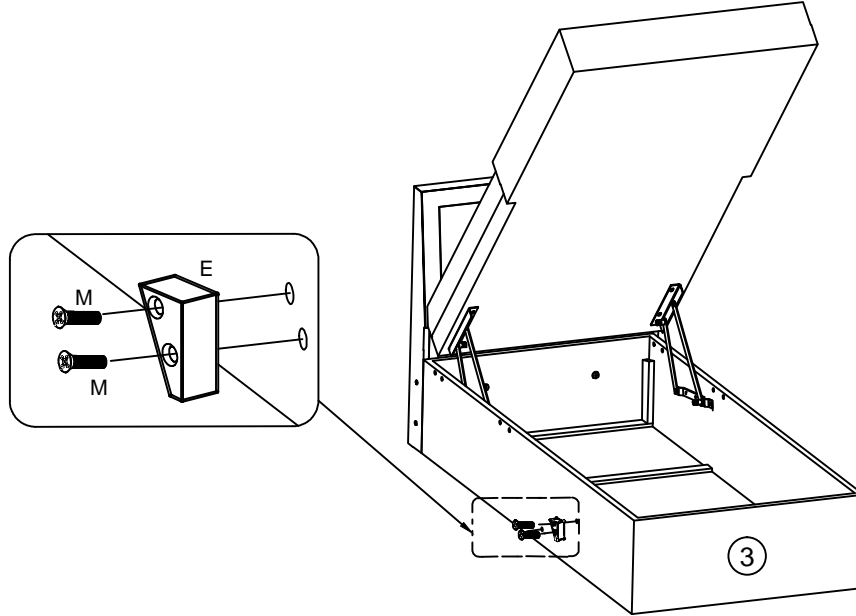
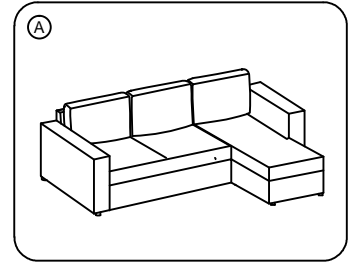
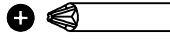
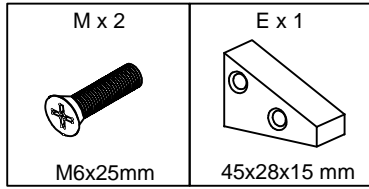
# 3



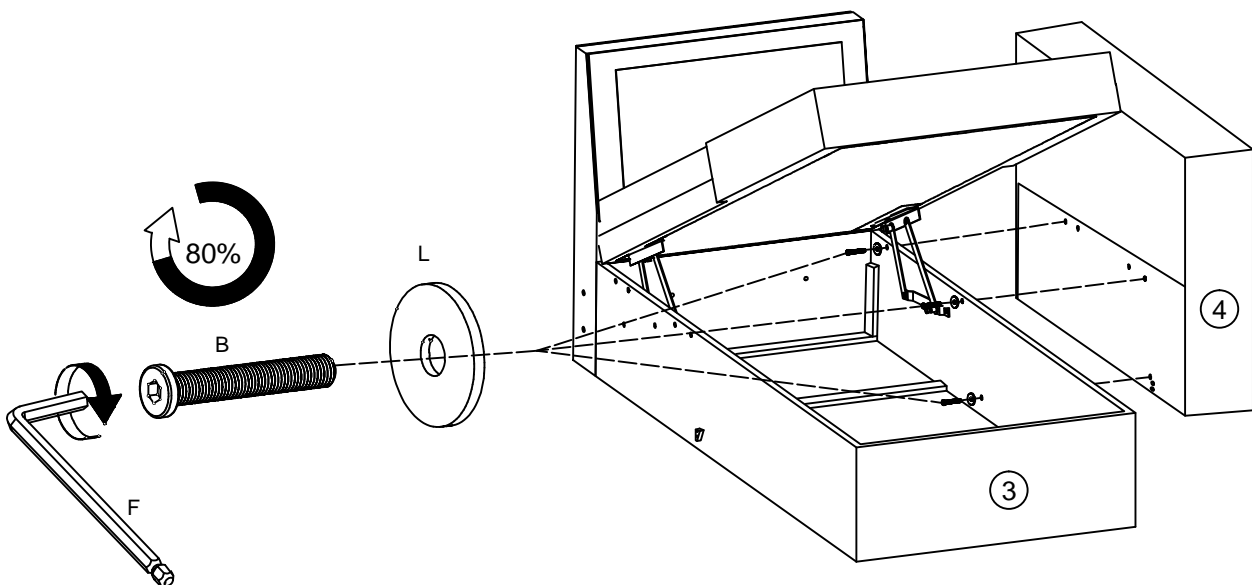
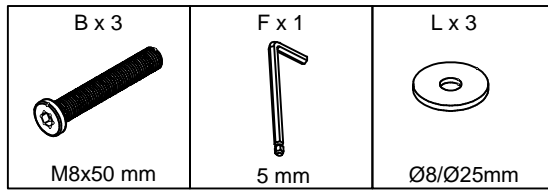
?



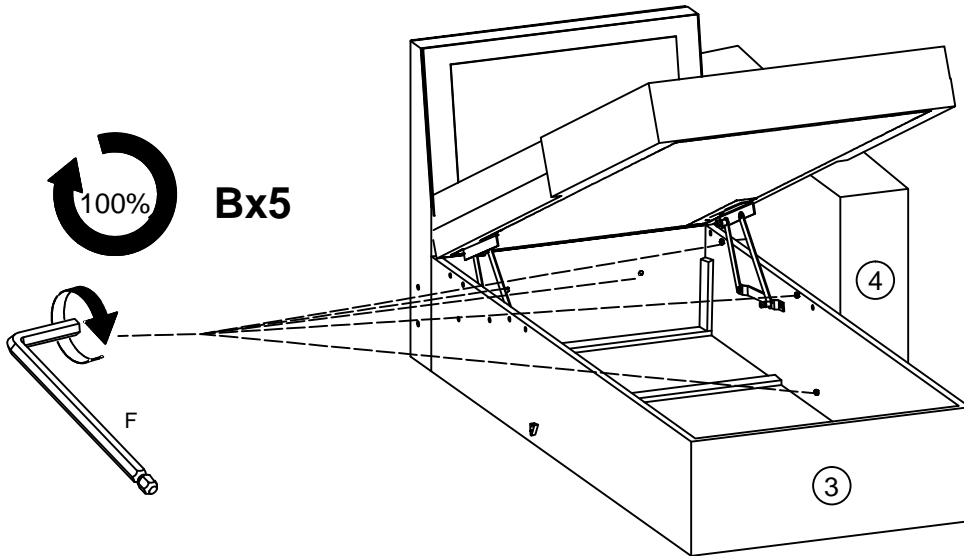
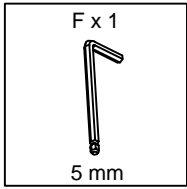
# 4



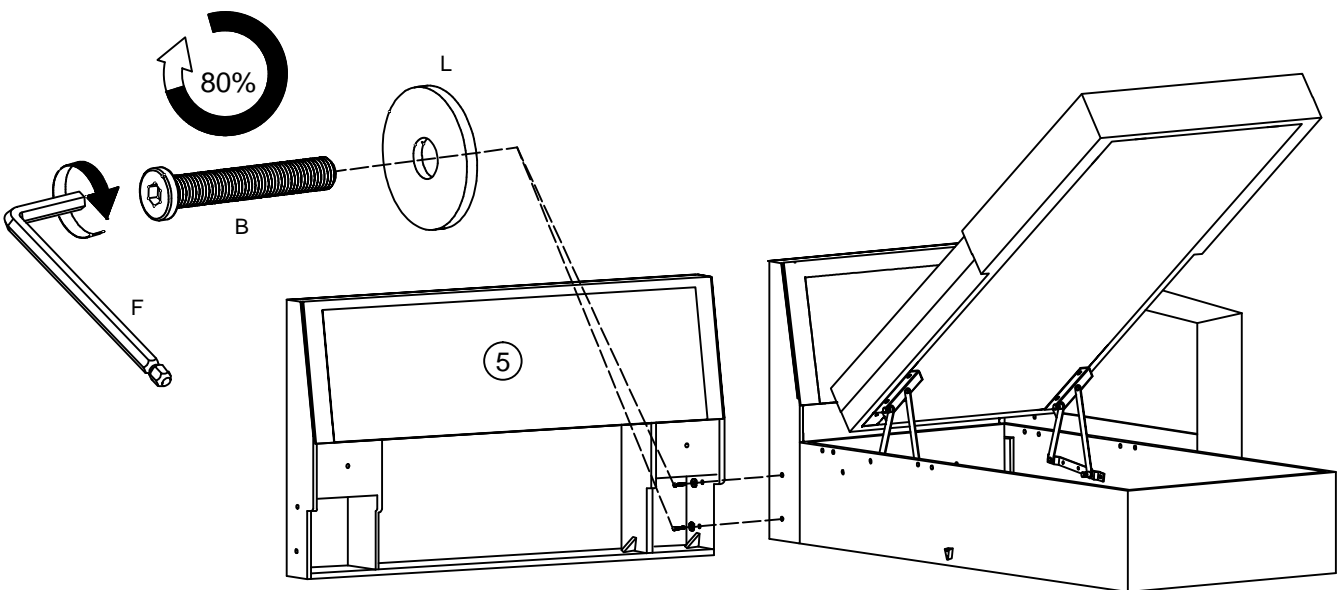
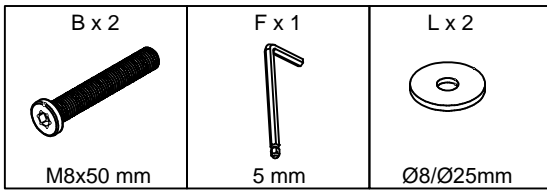
# 5






6

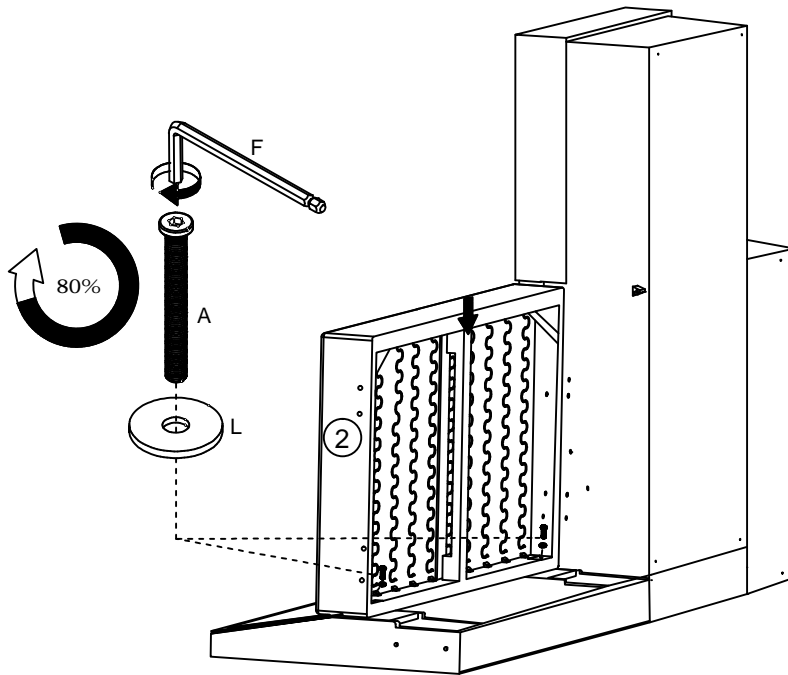


7




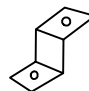


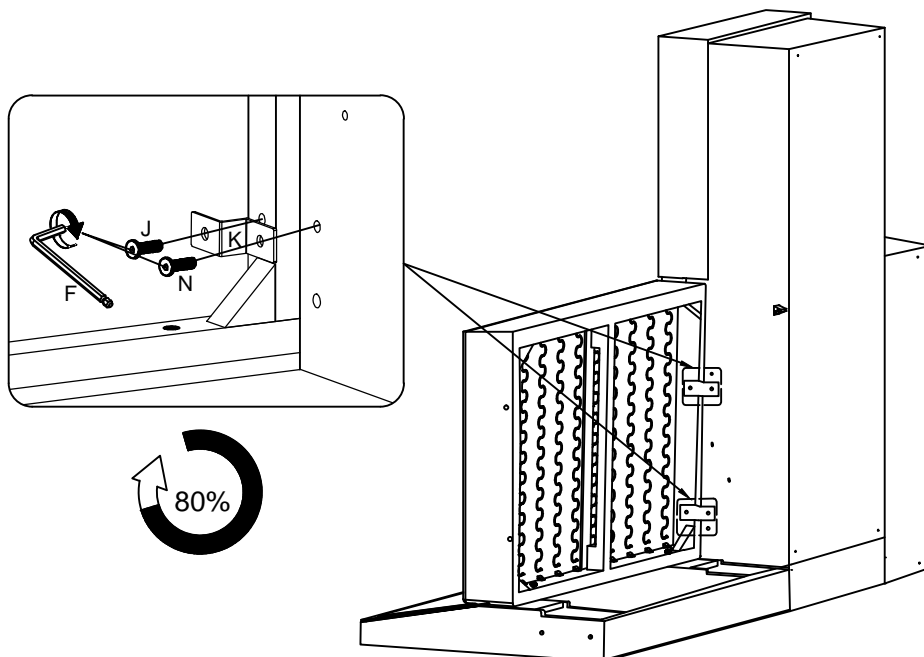
# 8

A x 2  M8x75 mm	F x 1  5 mm	L x 2  Ø8/Ø25mm
--	--	--

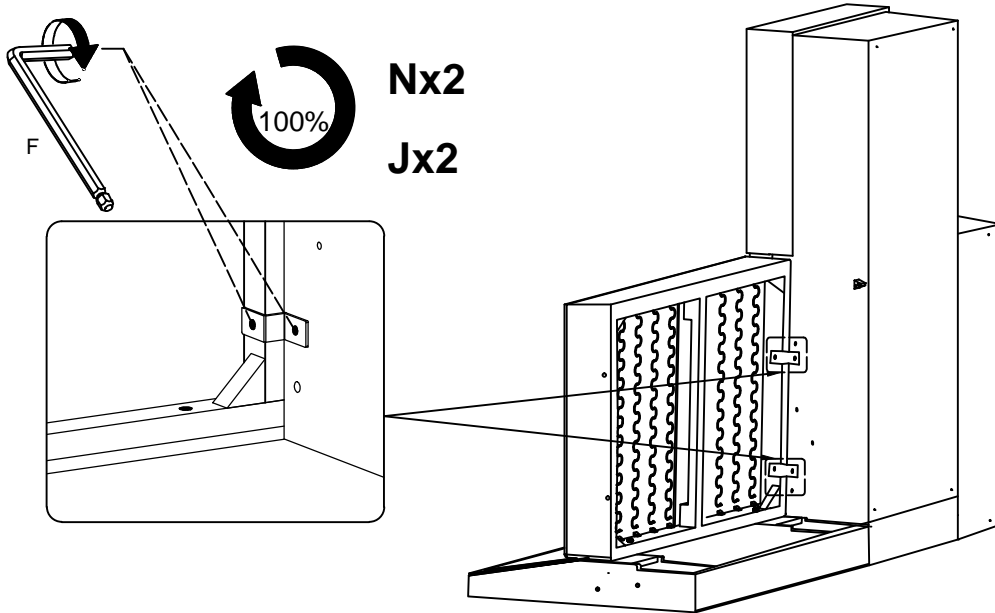
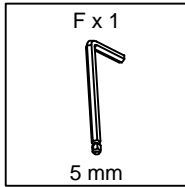


# 9

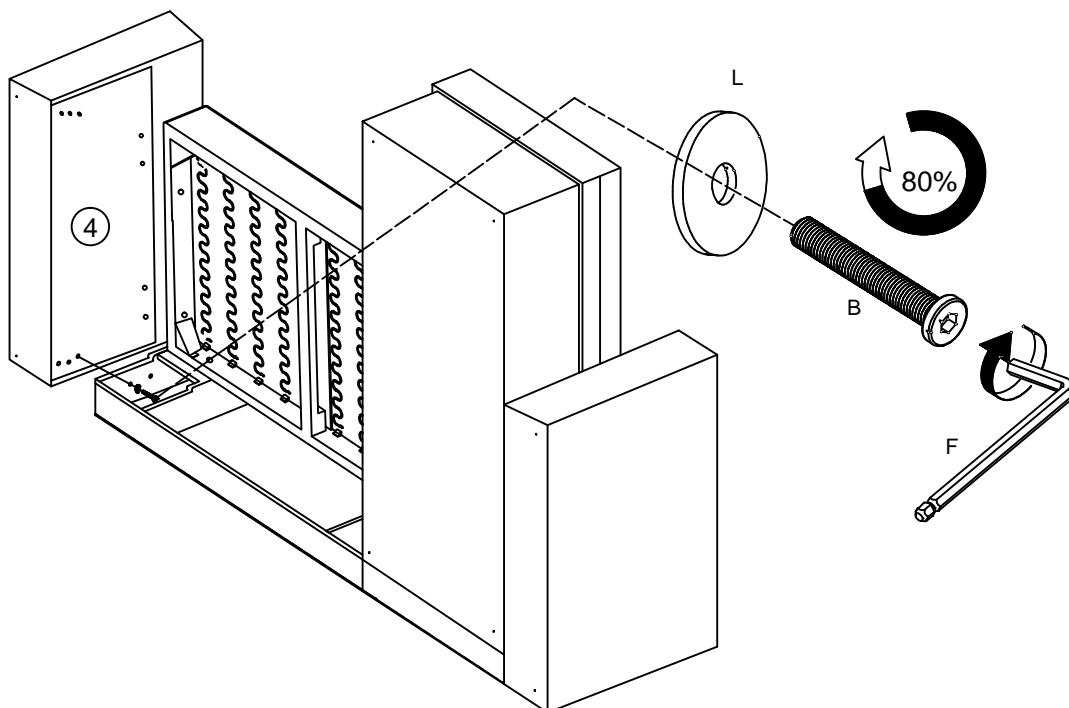
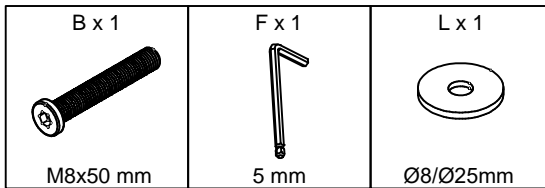
N x 2  M8x20 mm	J x 2  M8x30 mm	F x 1  5 mm	K x 2  93x30x30mm
--	--	--	--





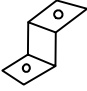
# 10

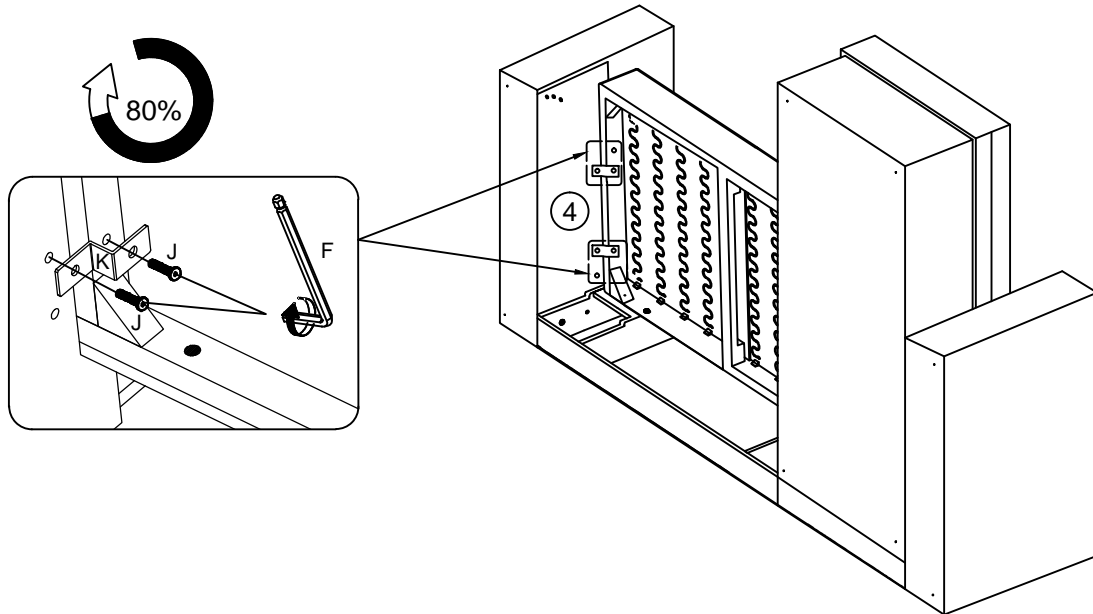


# 11




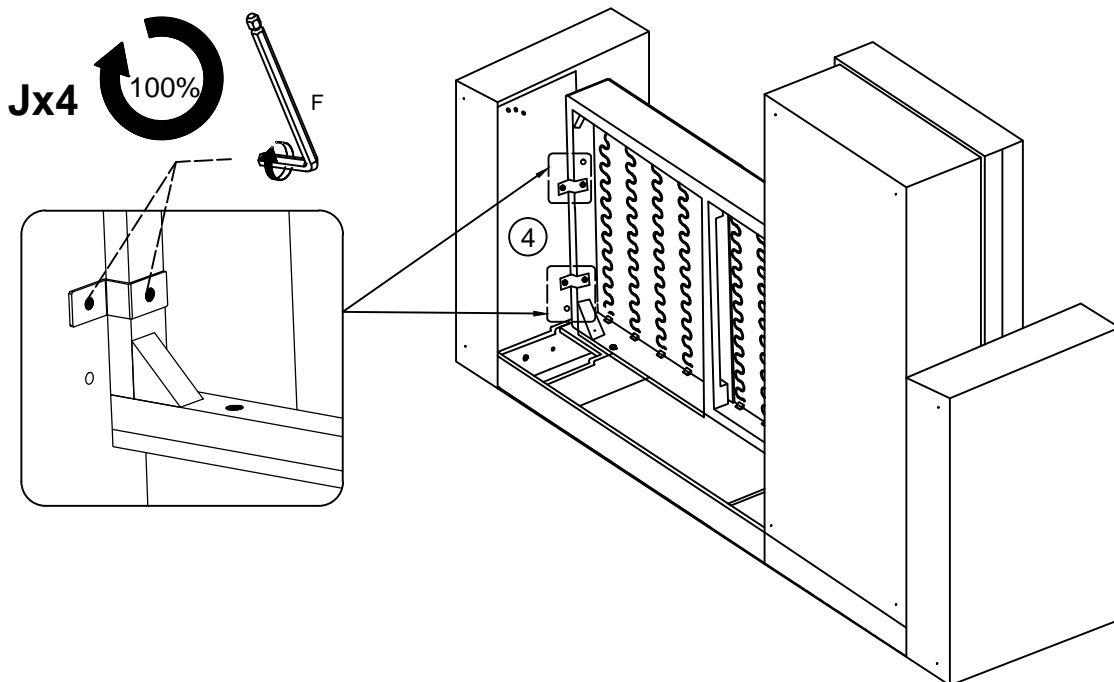
# 12

J x 4  M8x30 mm	F x 1  5 mm	K x 2  93x30x30mm
--	--	--

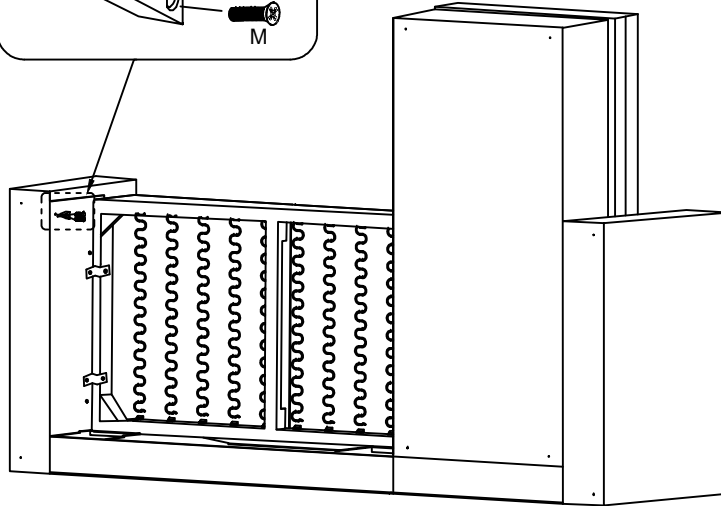
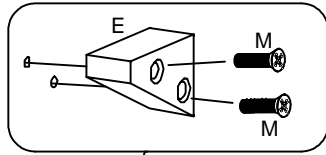
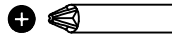
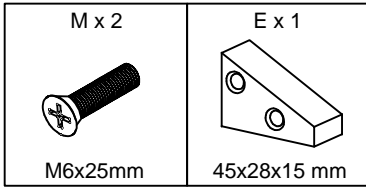


# 13

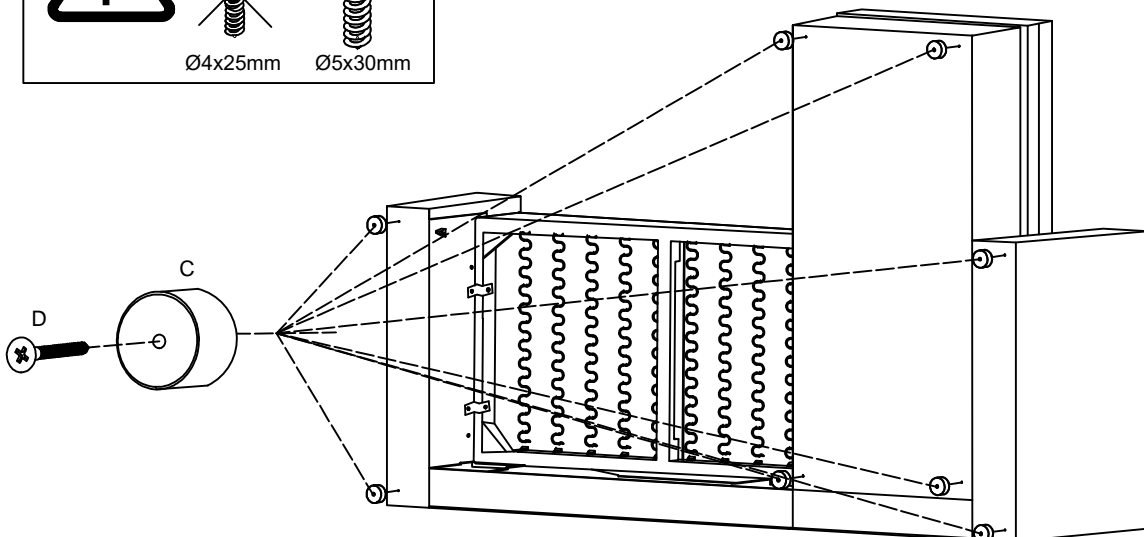
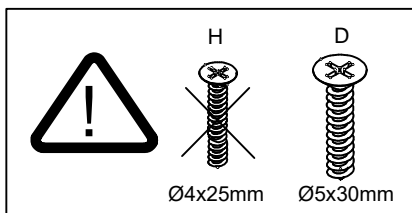
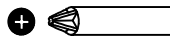
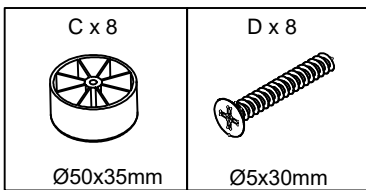
F x 1  5 mm
--



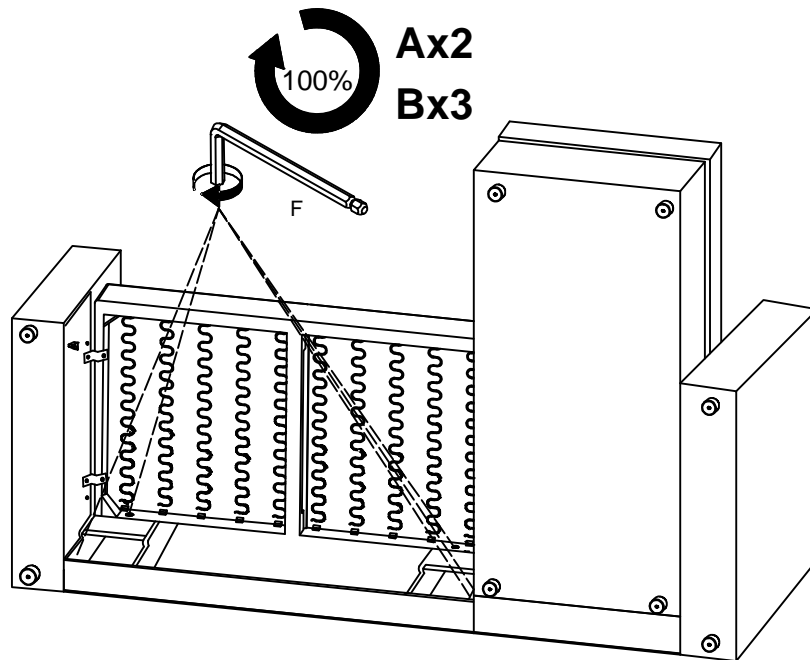
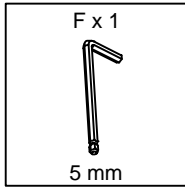
# 14



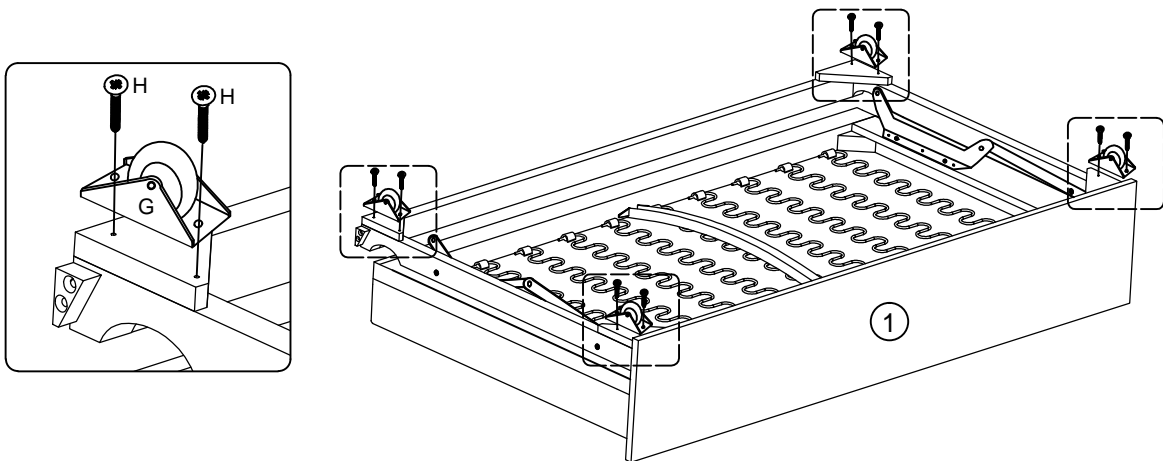
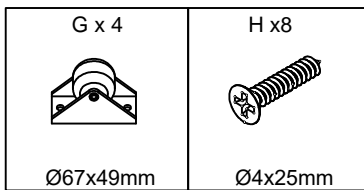
# 15



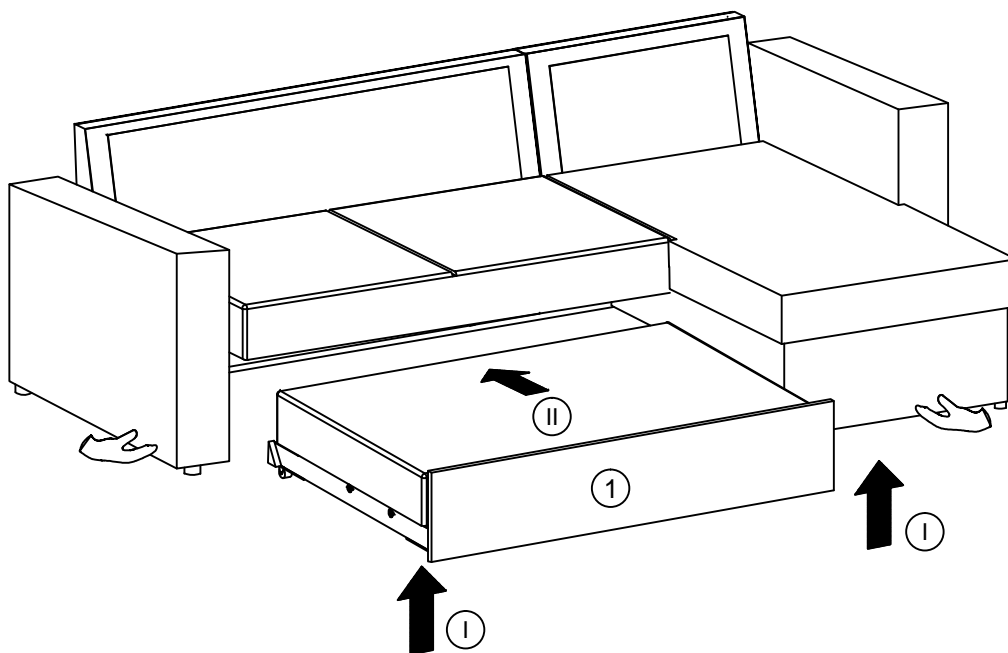
# 16



# 17

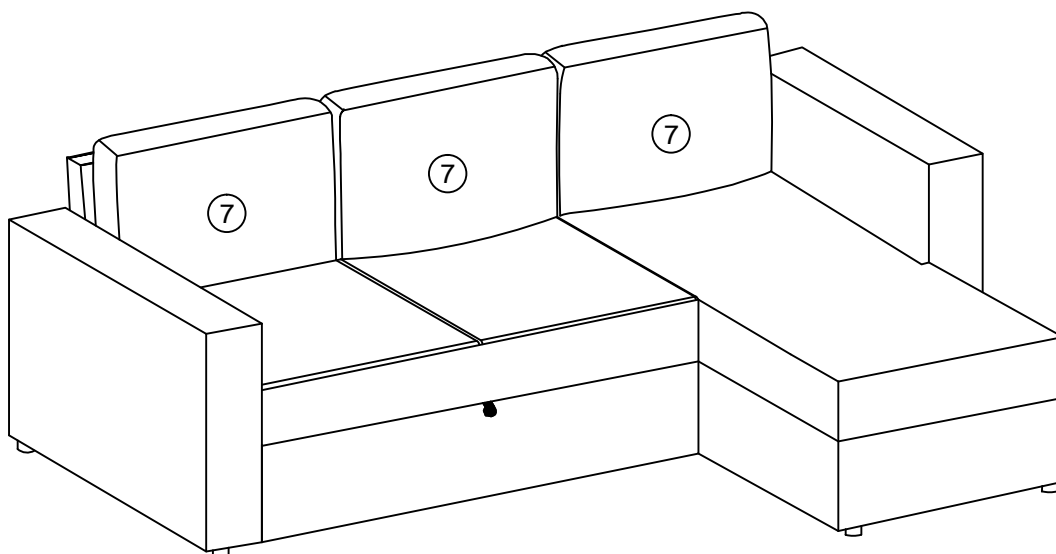


# 18

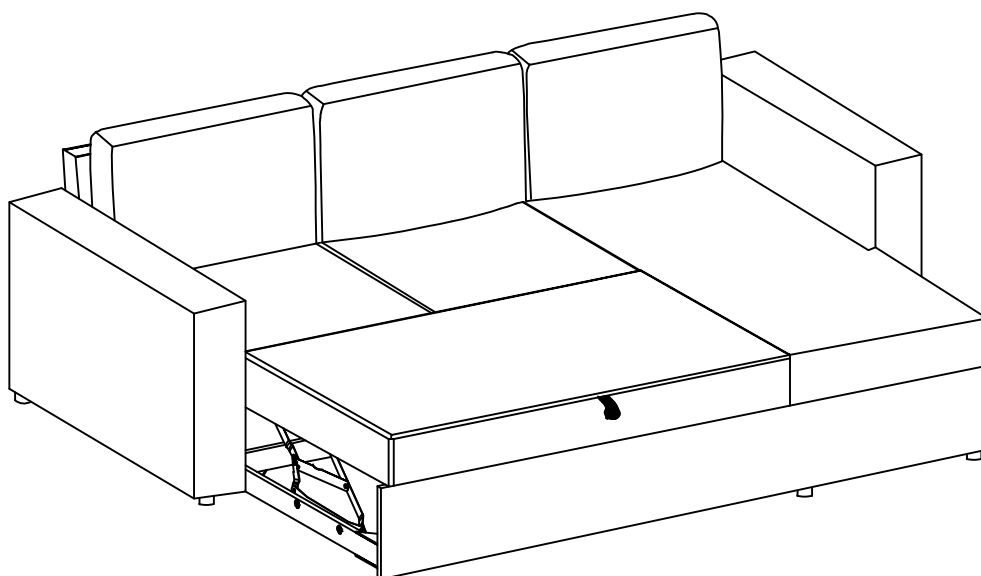
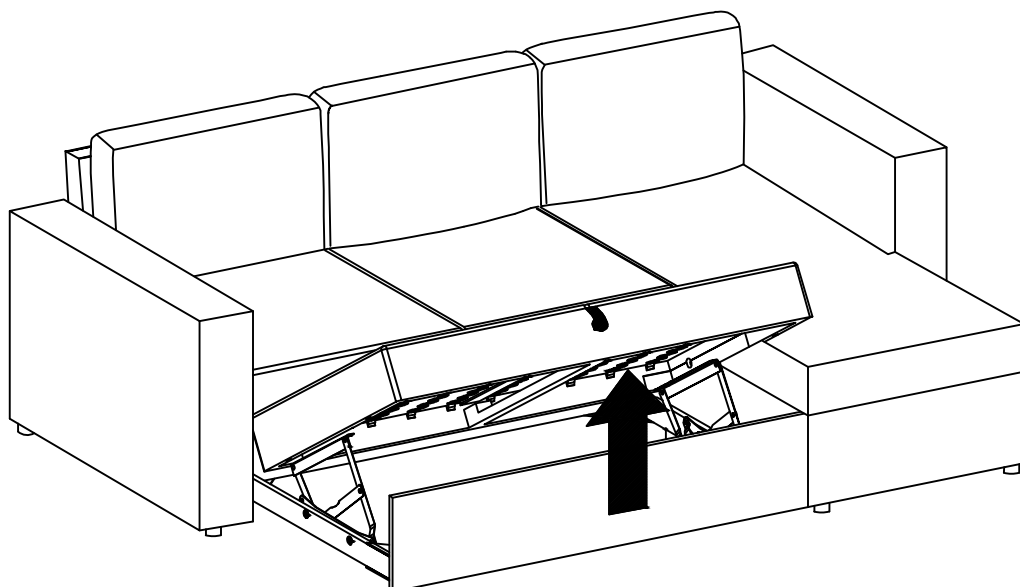
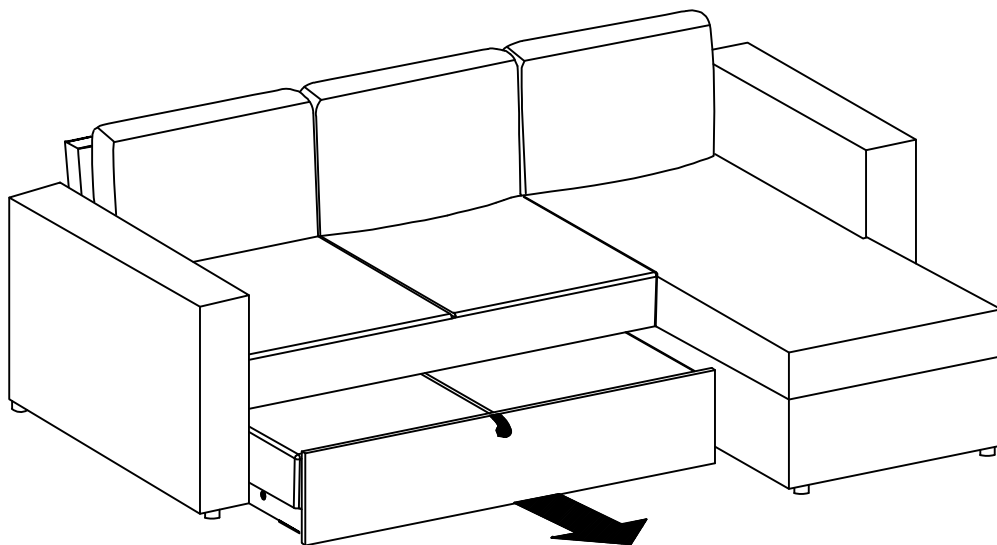


---

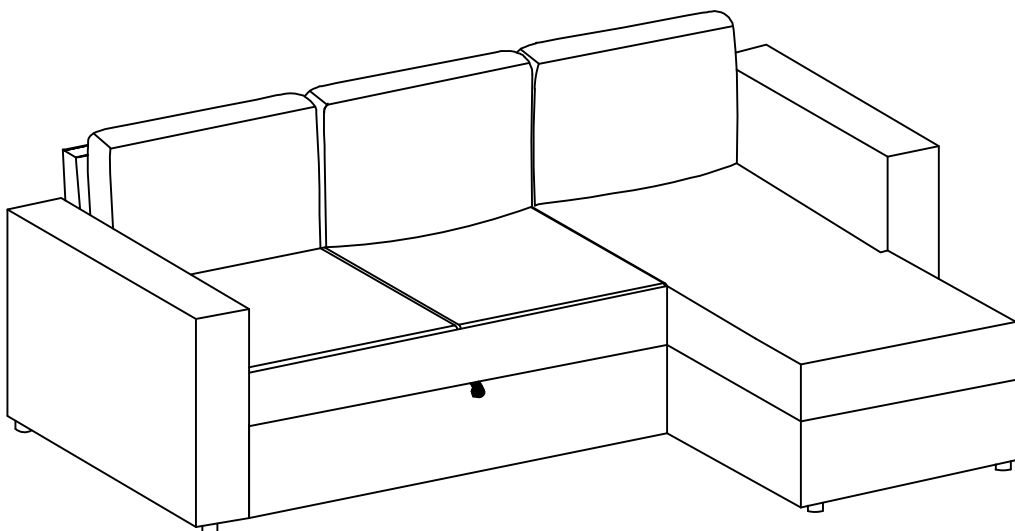
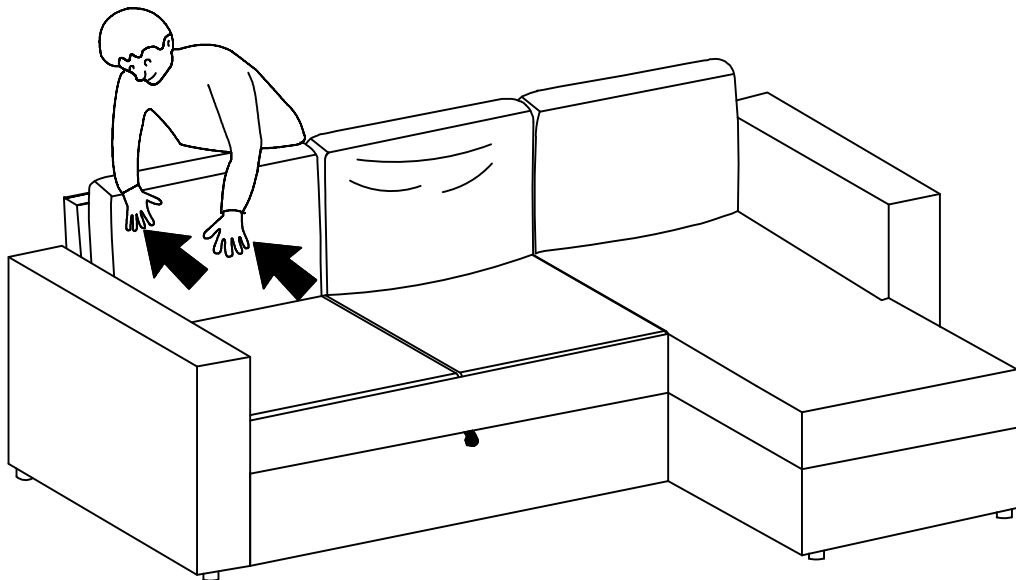
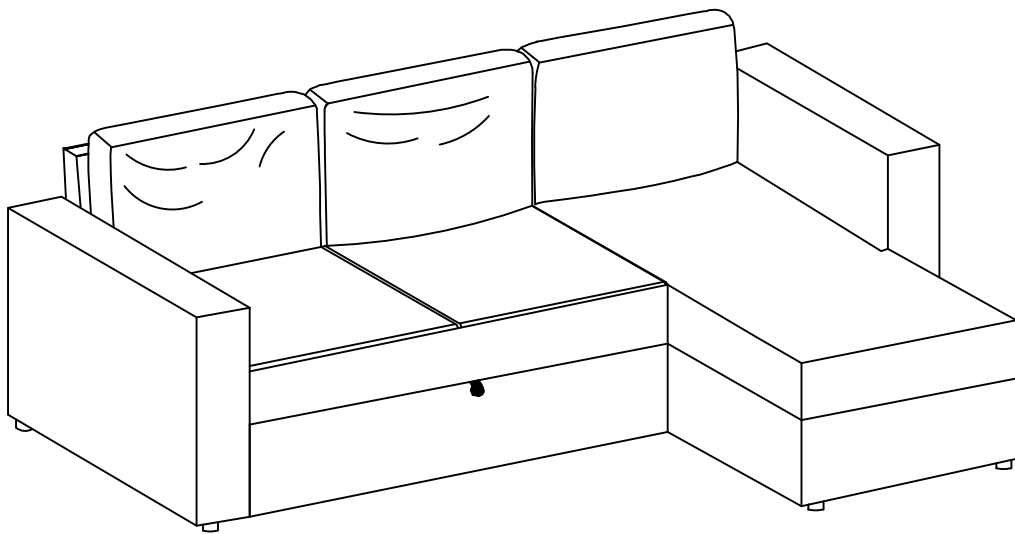
# 19



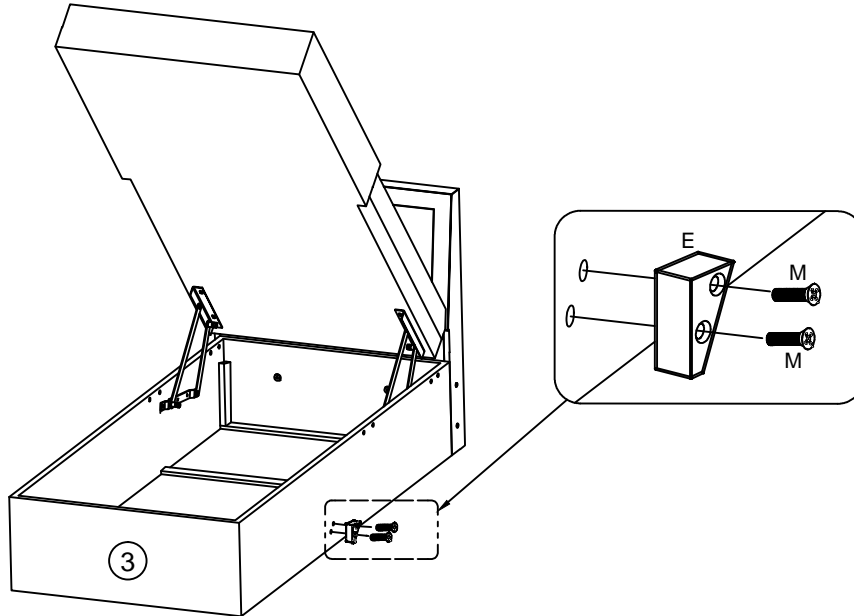
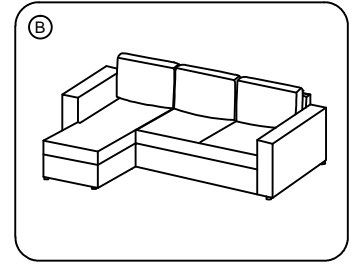
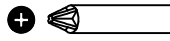
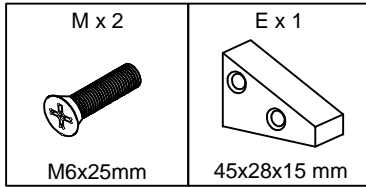
20



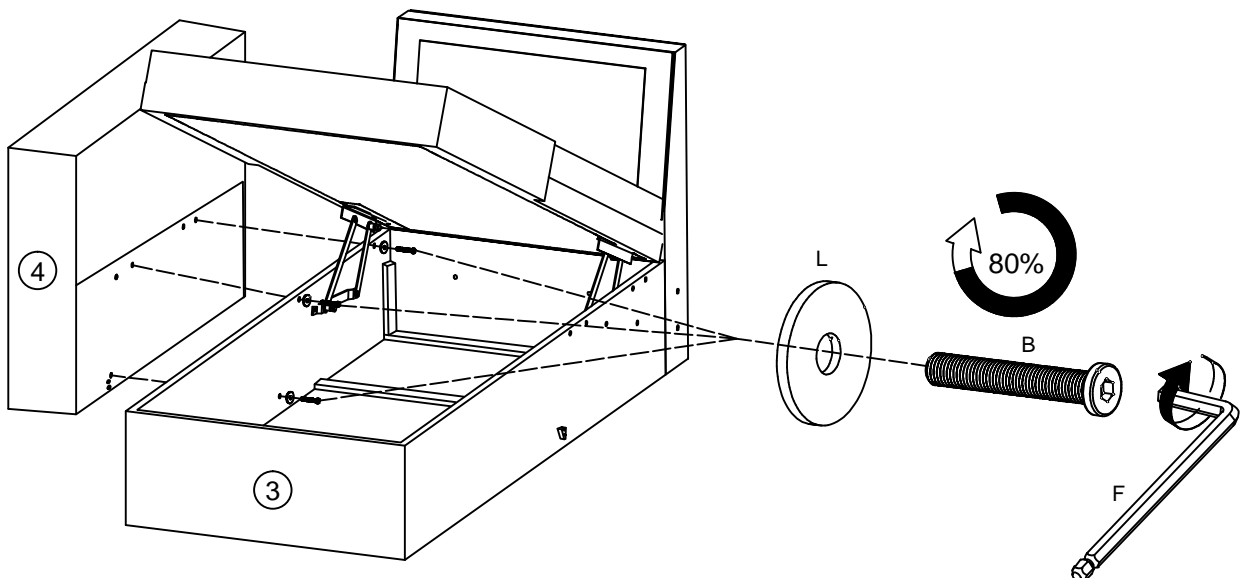
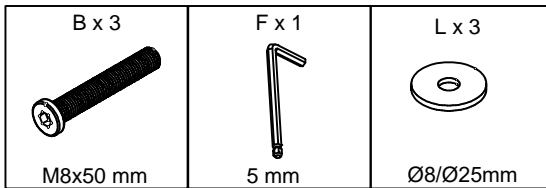
21



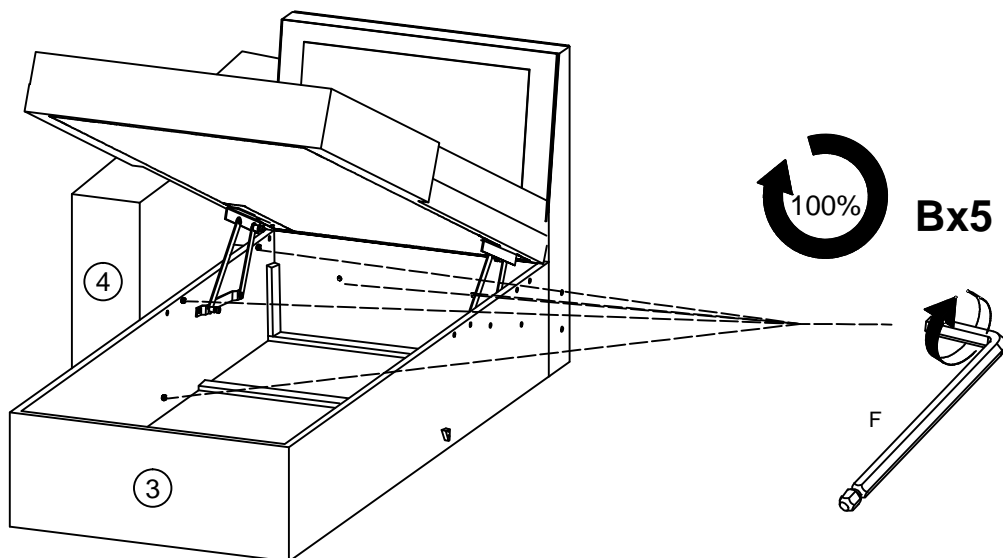
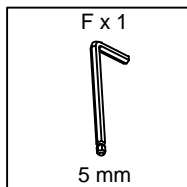
# 22



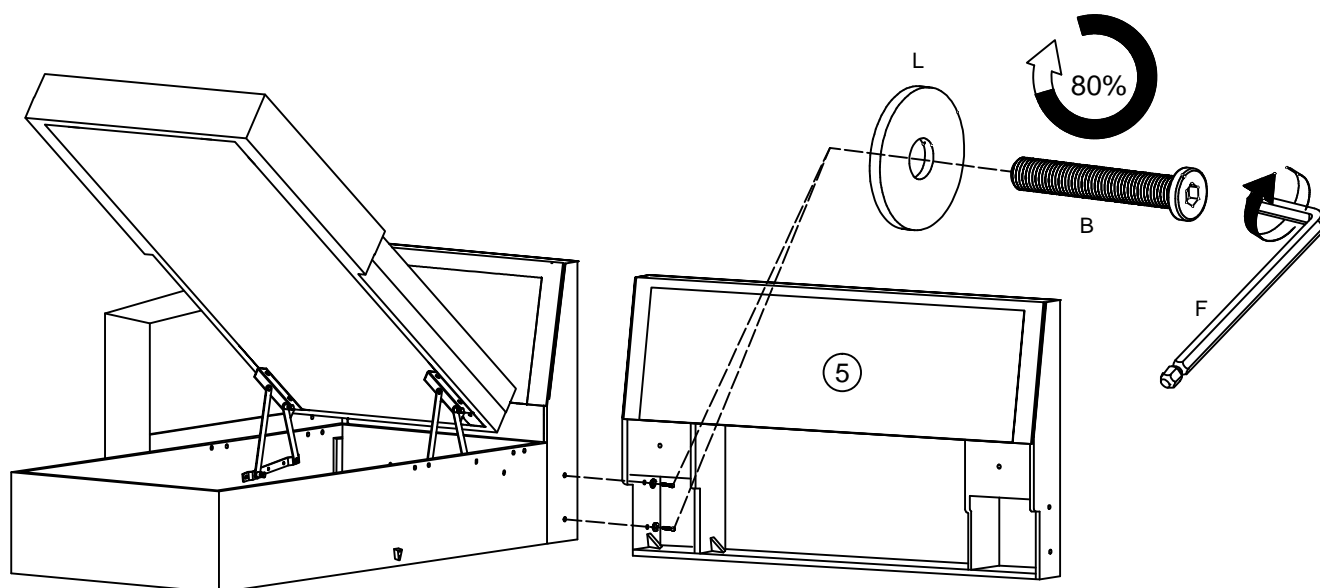
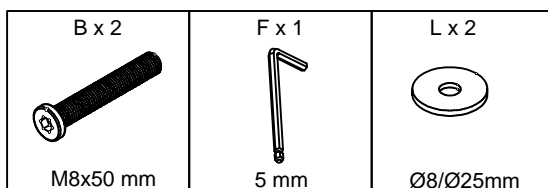
# 23






# 24

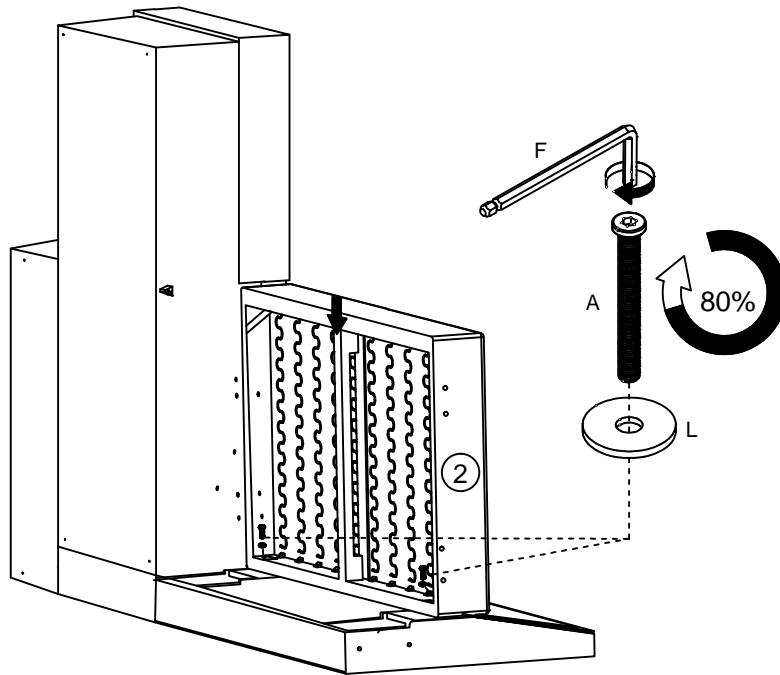


# 25




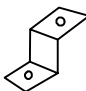


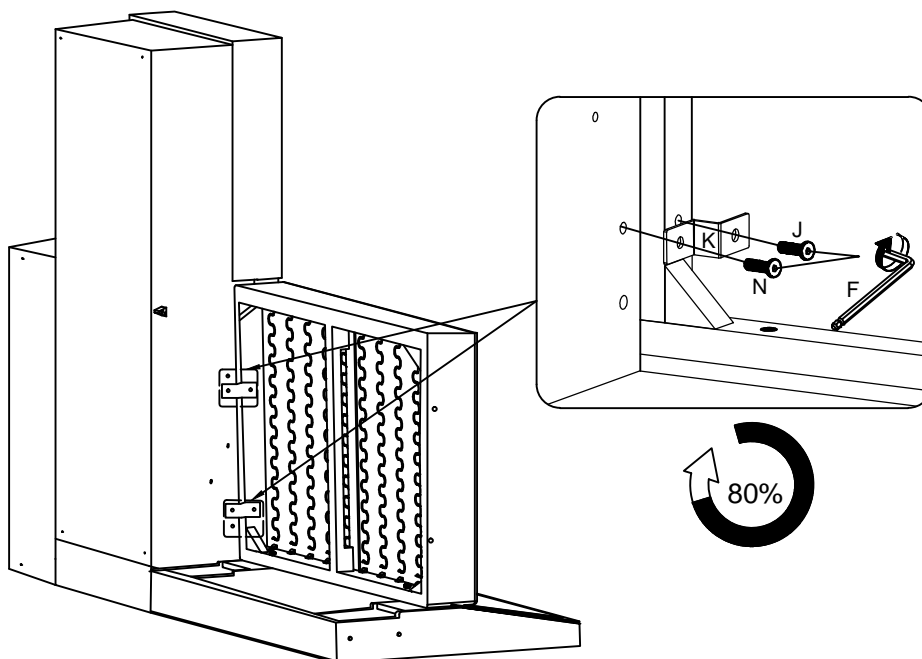
# 26

A x 2  M8x75 mm	F x 1  5 mm	L x 2  Ø8/Ø25mm
--	--	--

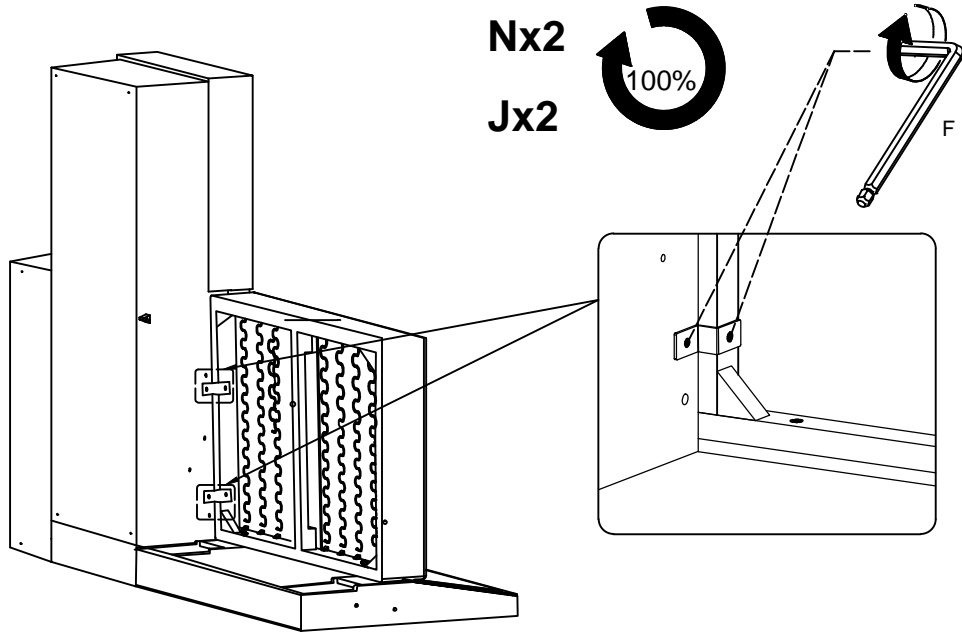
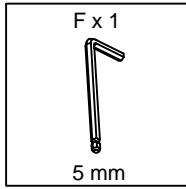


# 27

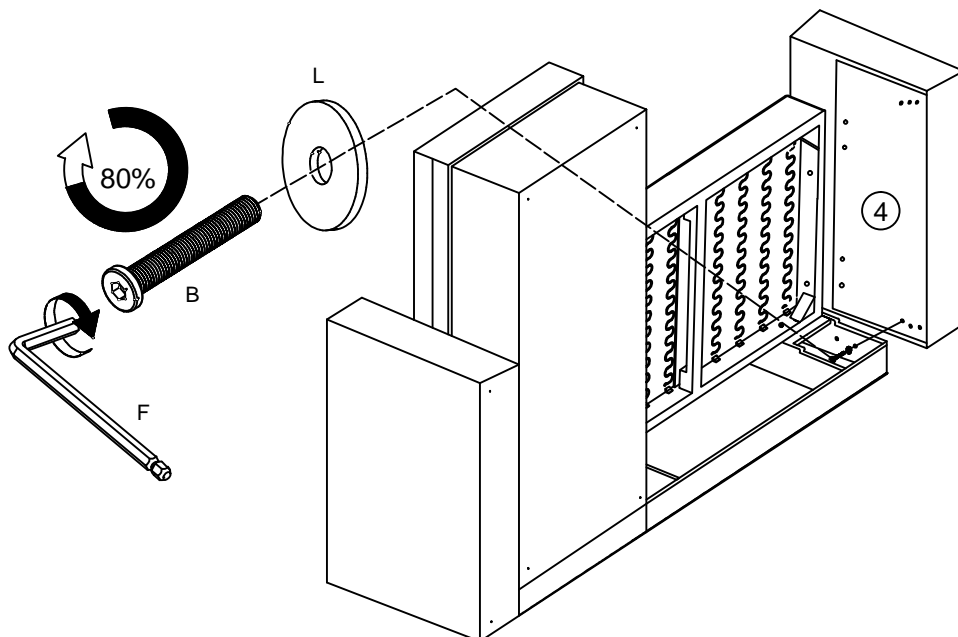
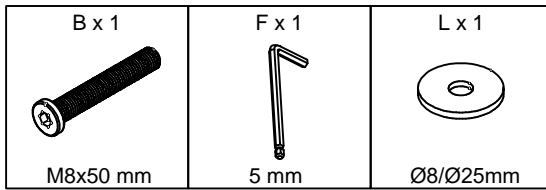
N x 2  M8x20 mm	J x 2  M8x30 mm	F x 1  5 mm	K x 2  93x30x30mm
--	--	--	--





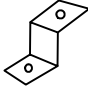
# 28

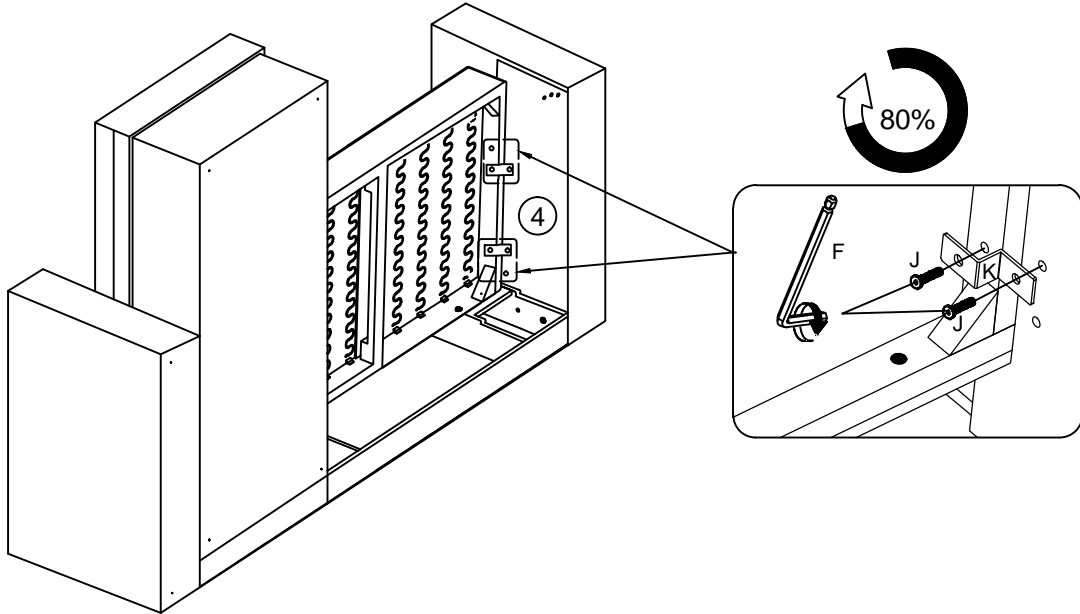


# 29




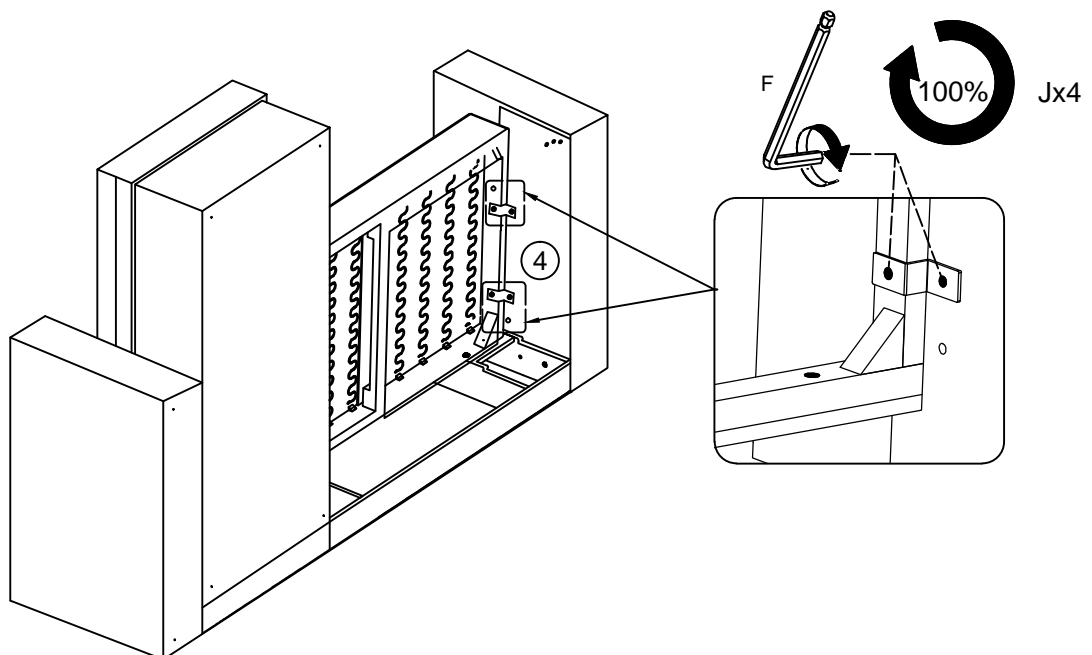
# 30

J x 4  M8x30 mm	F x 1  5 mm	K x 2  93x30x30mm
--	--	--

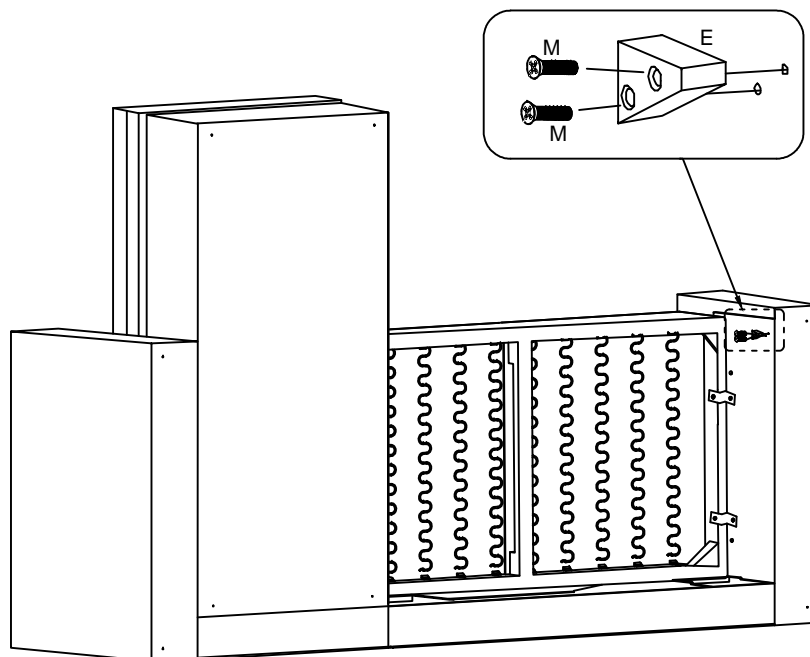
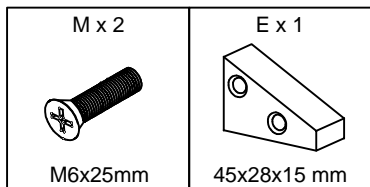


# 31

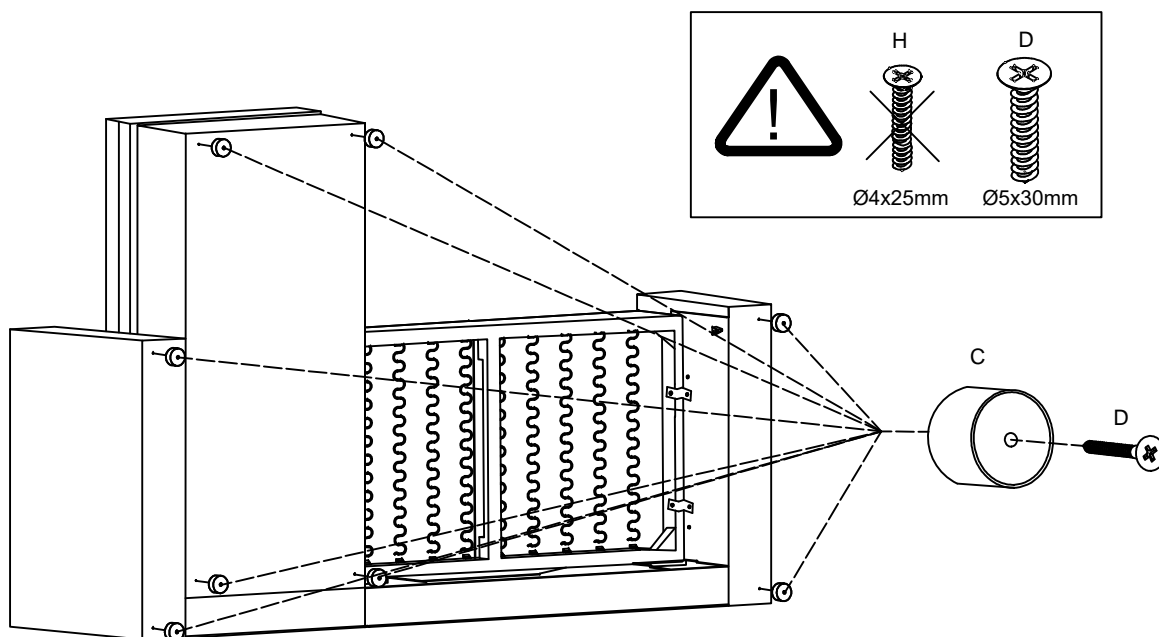
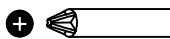
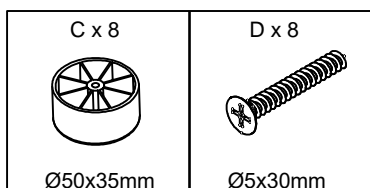
F x 1  5 mm
--



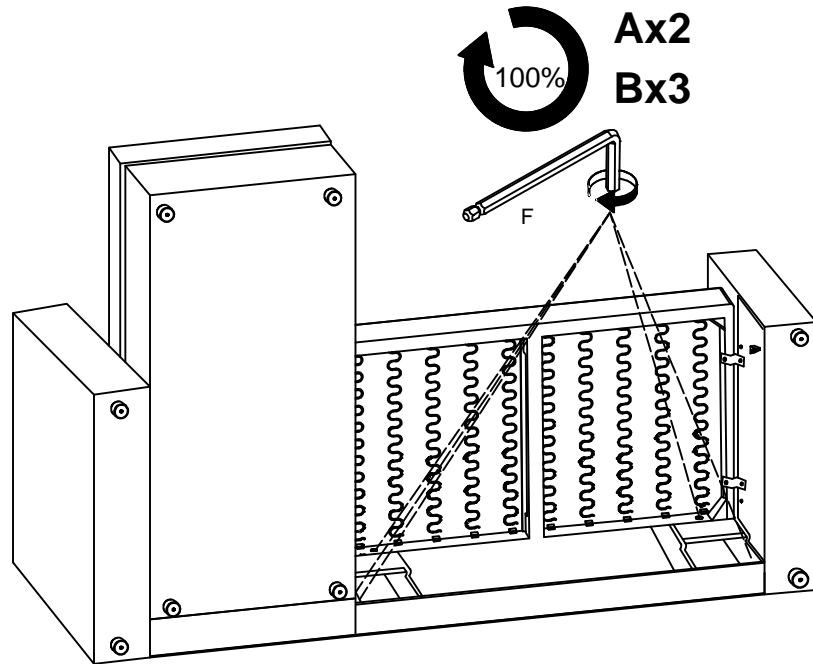
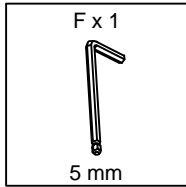
# 32



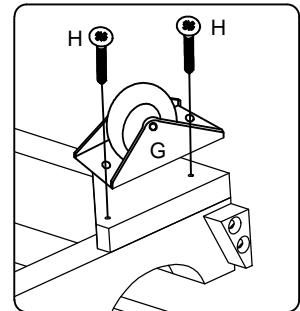
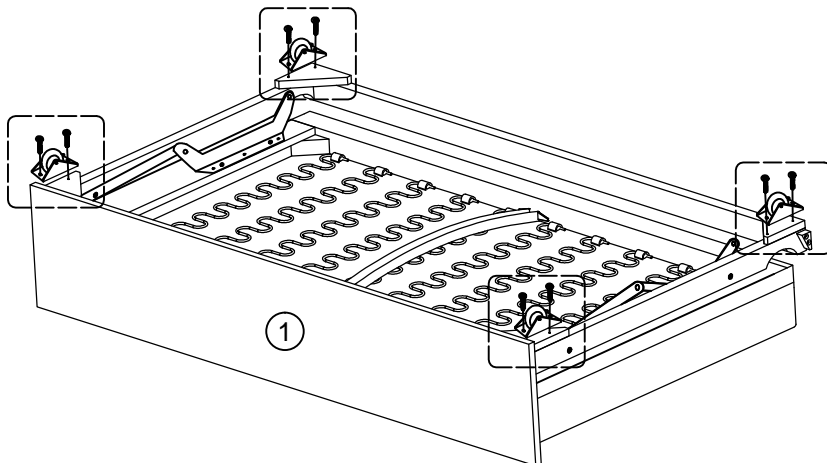
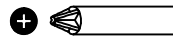
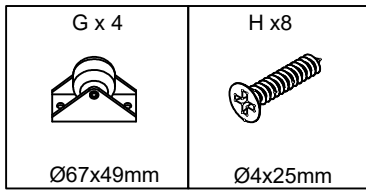
# 33



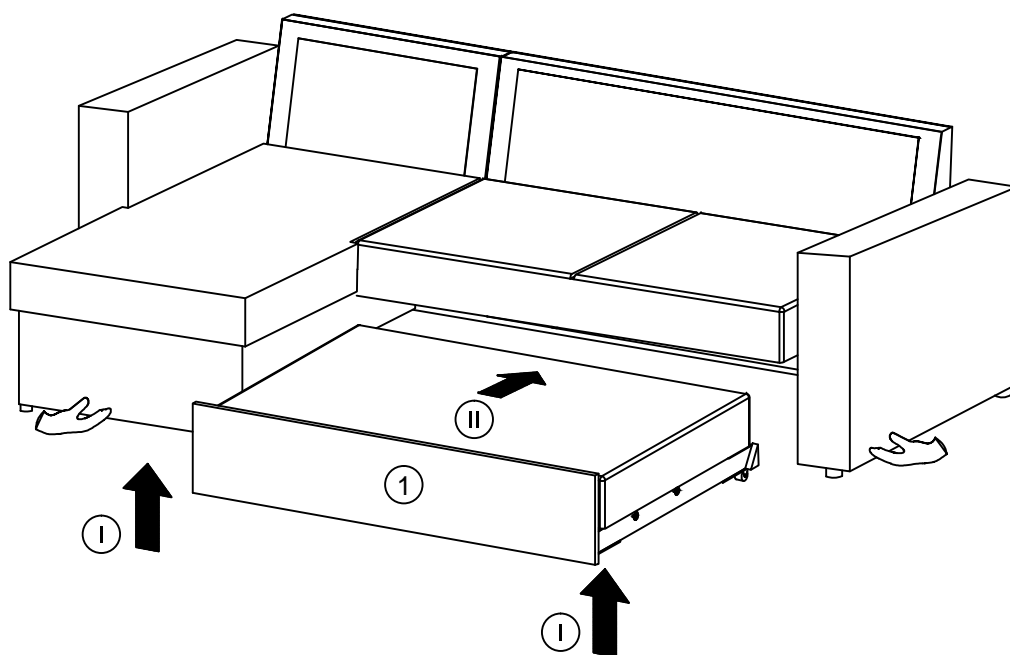
# 34



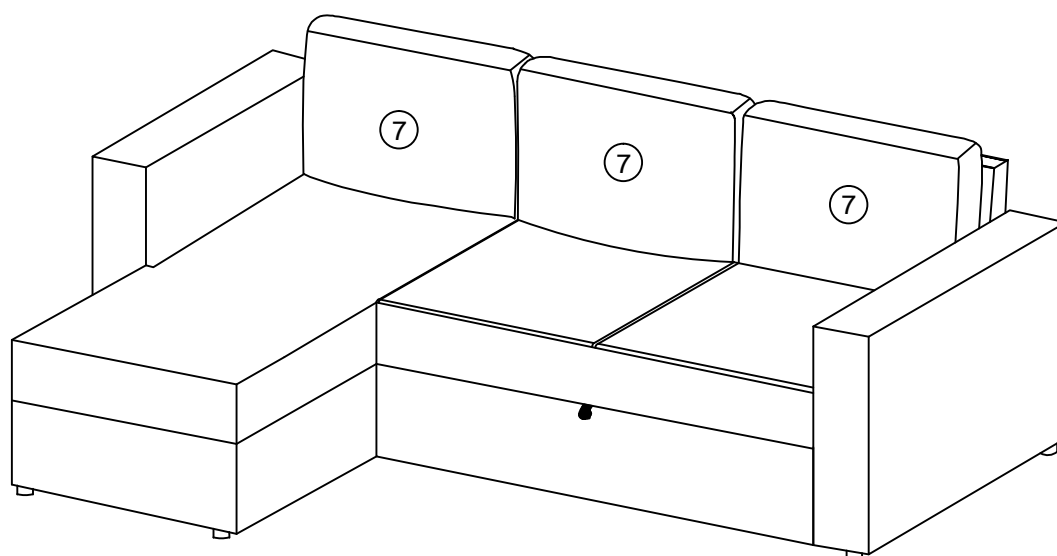
# 35

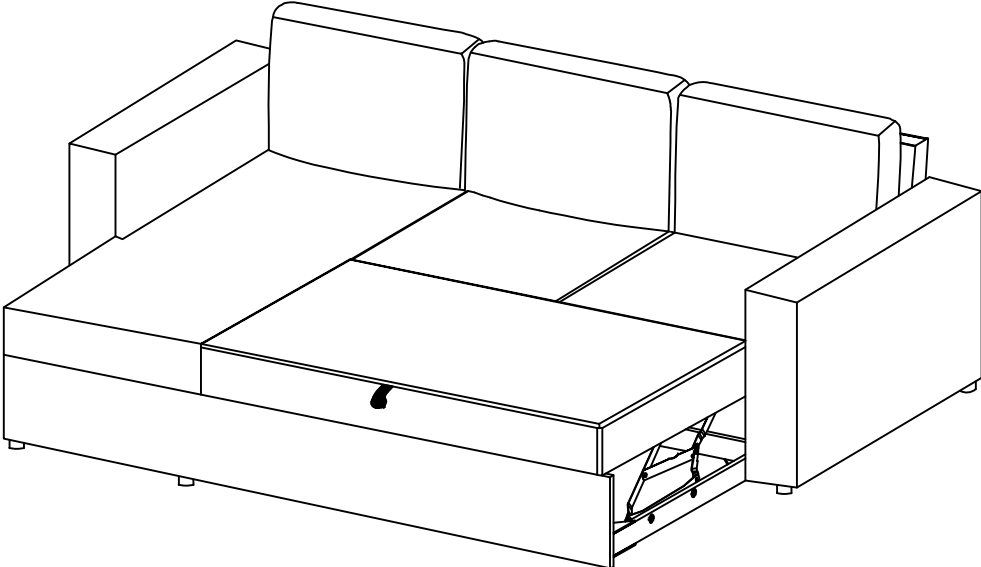
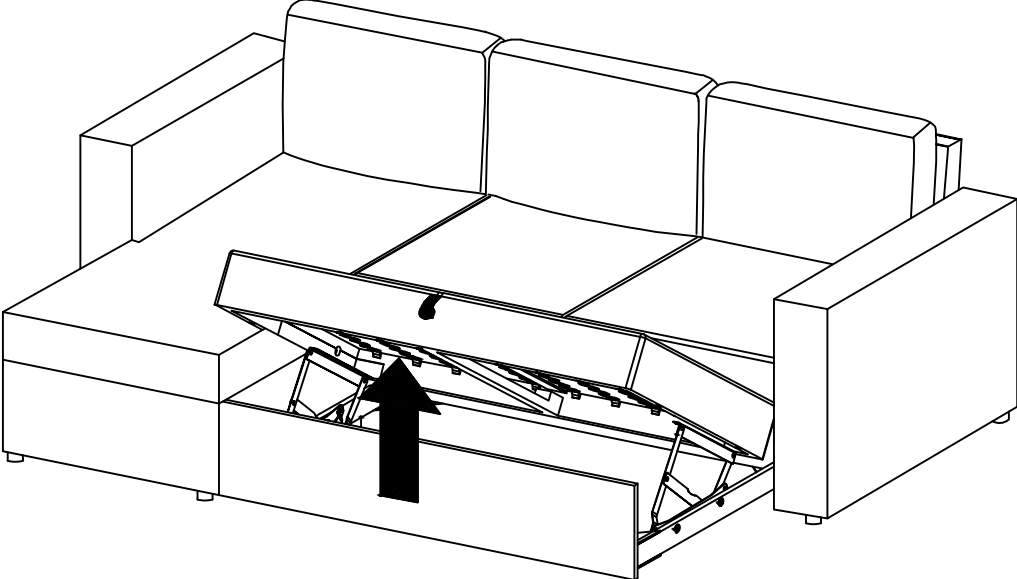
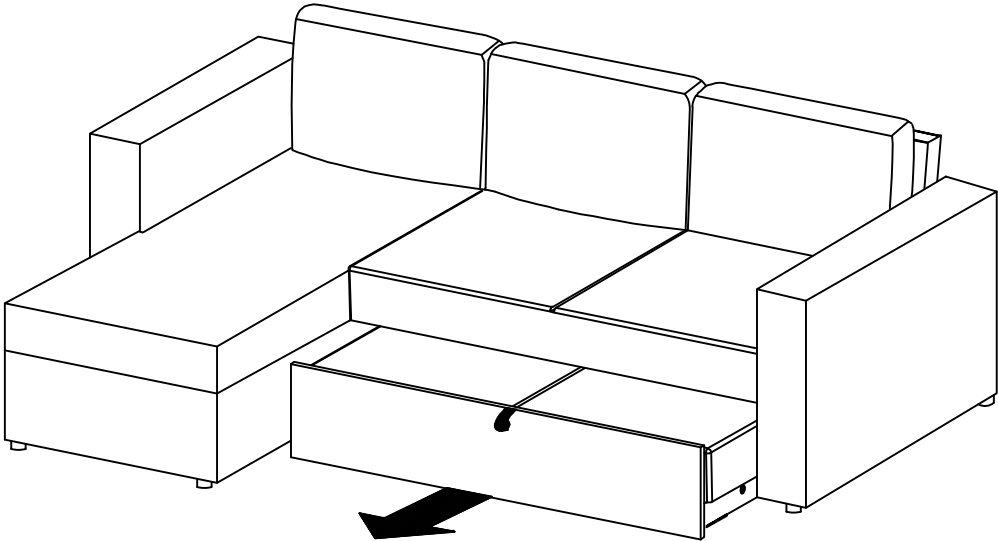


# 34



# 37





35

