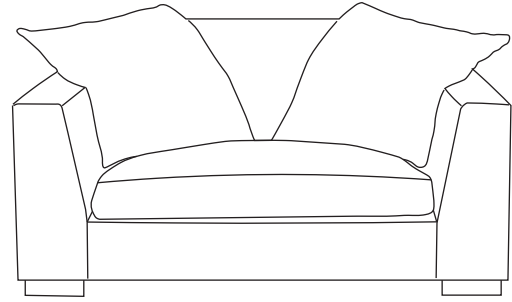
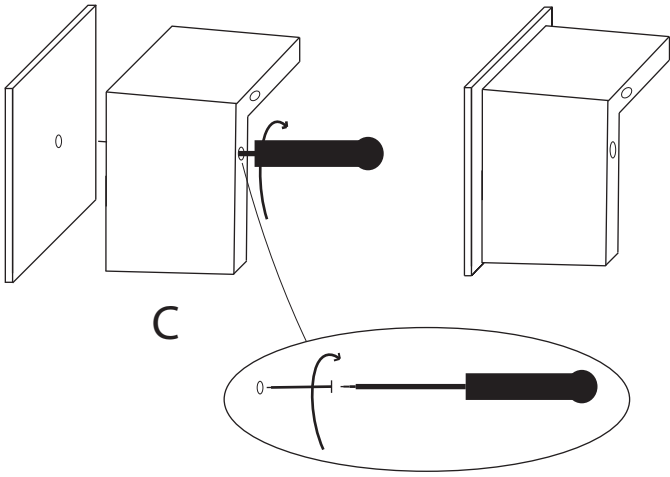


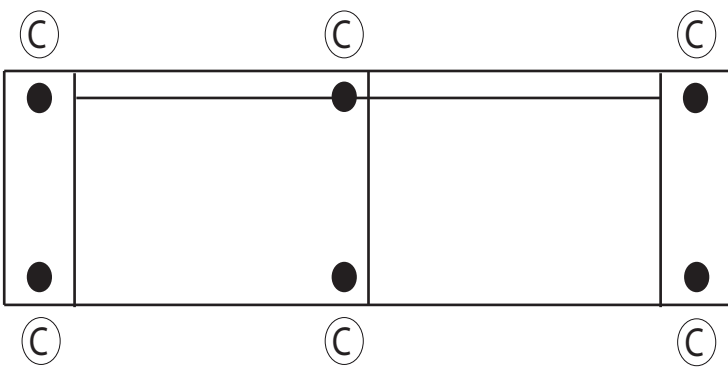
Screw the legs (C) to the bottom of the sofa.

# Pesa



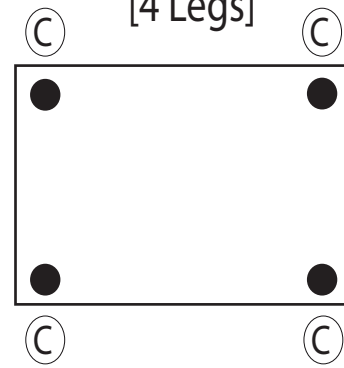
3s

[6 Legs]



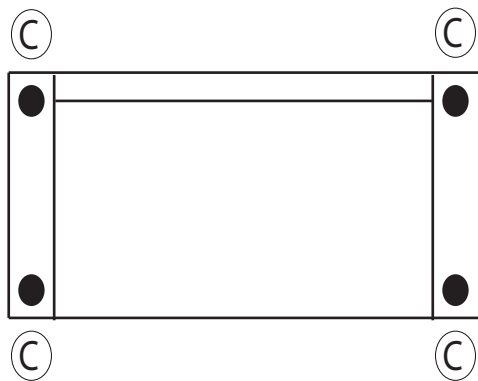
Footstool

[4 Legs]



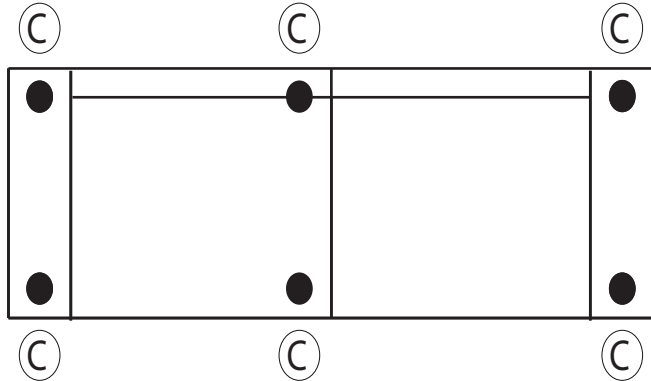
1s

[4 Legs]

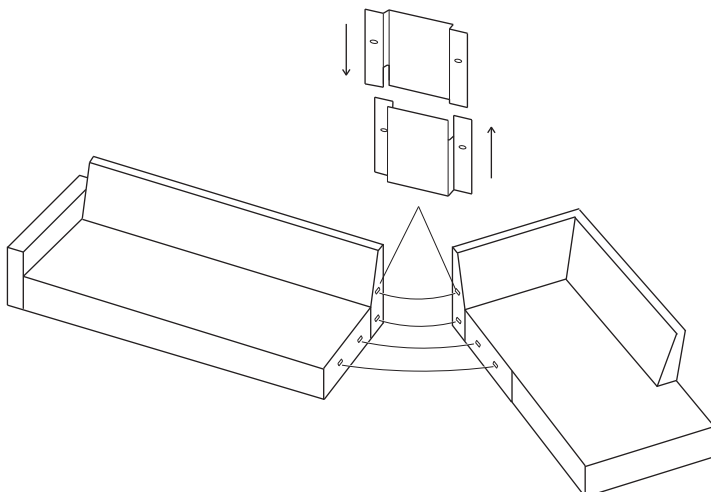


2s

[6 Legs]



Connecting sofa parts.



Do not throw away the packing materials until assembly is complete;

From scratching or other damages; assemble this item on a soft surface, such as cardboard layer or a carpet to protect the finish;

Hardware may loosen overtime. Periodically check that all connections are tight;

Protect sofa from an environmental factors such as: heat, direct sunlight and humidity.

Do not use sofa outdoors.

Do not fix the sofa yourself, sofa can only be fixed in our factory, by licensed and qualified professionals or our after-sales service workshop, by using only original replacement parts, otherwise, the warranty could be considered as void.