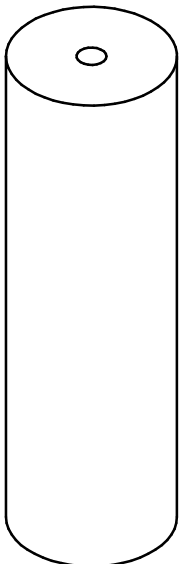
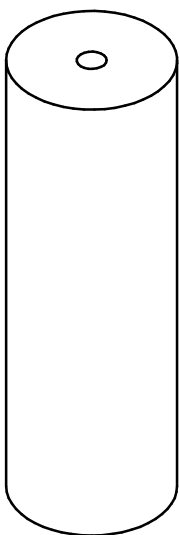


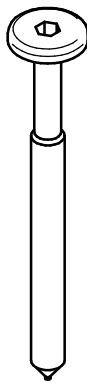
A  
4



B  
1



C  
5



D  
24



E  
24



F  
24



G  
32



H  
42



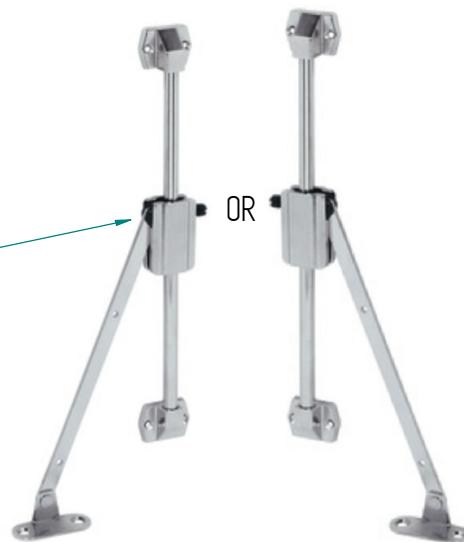
I  
3



J  
3



O  
3

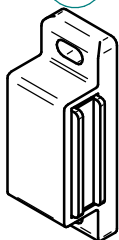


K  
6

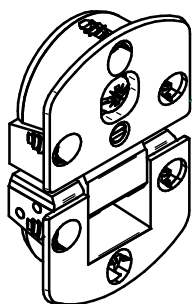


3.5x15 UP

L  
3



M  
6



N  
54



3.5x15

OR

SW4

1  
1

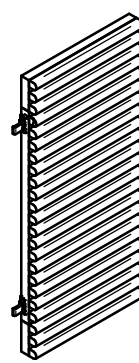
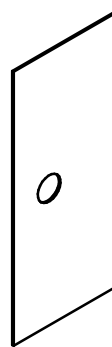
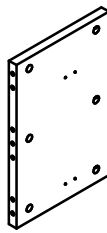
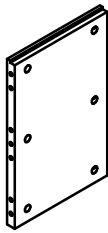
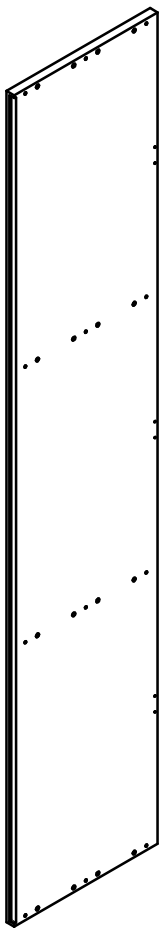
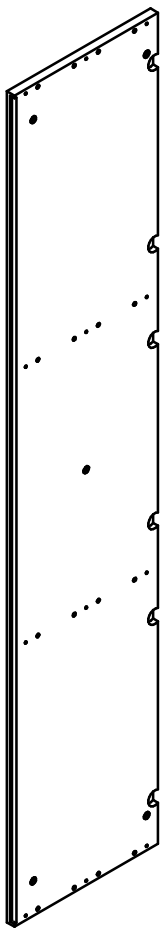
2  
1

3  
2

4  
2

5  
3

6  
3

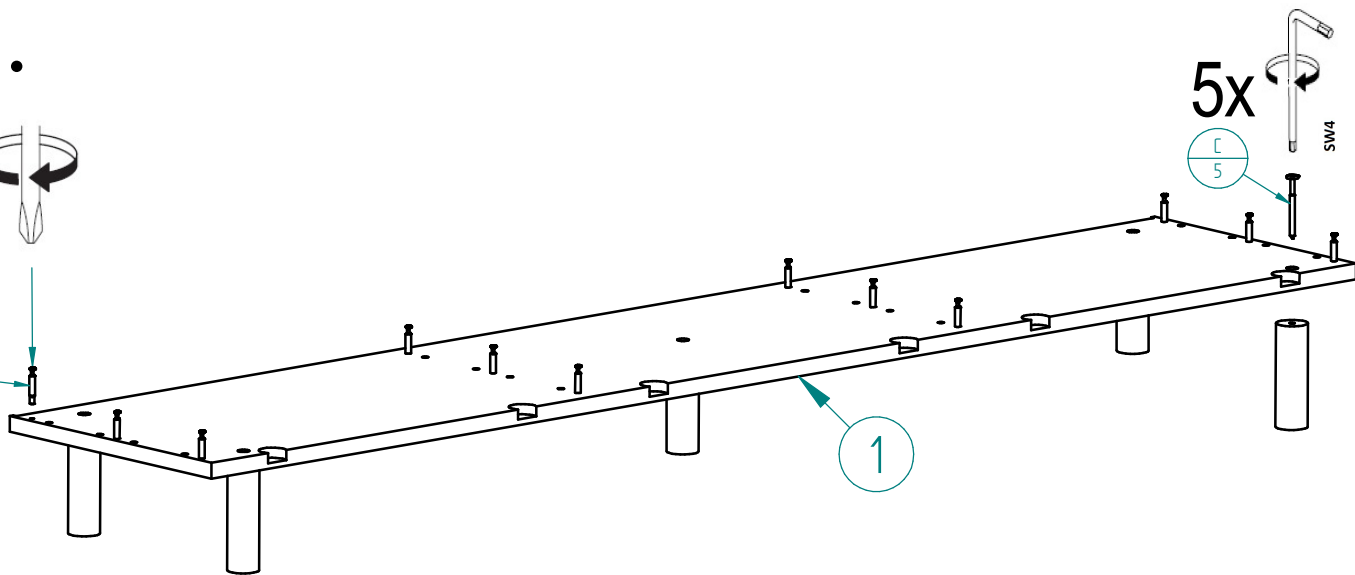


1.

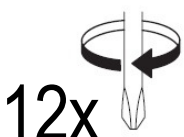


12x

Ø 12

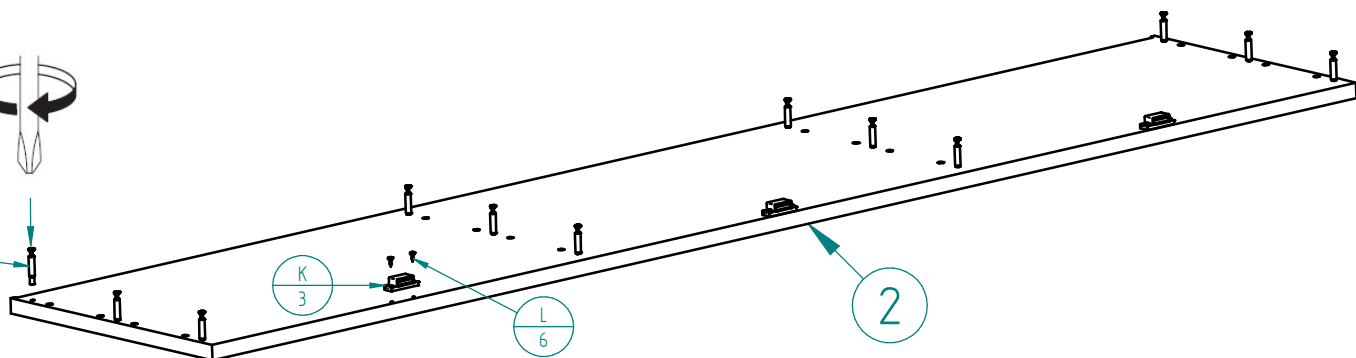


2.

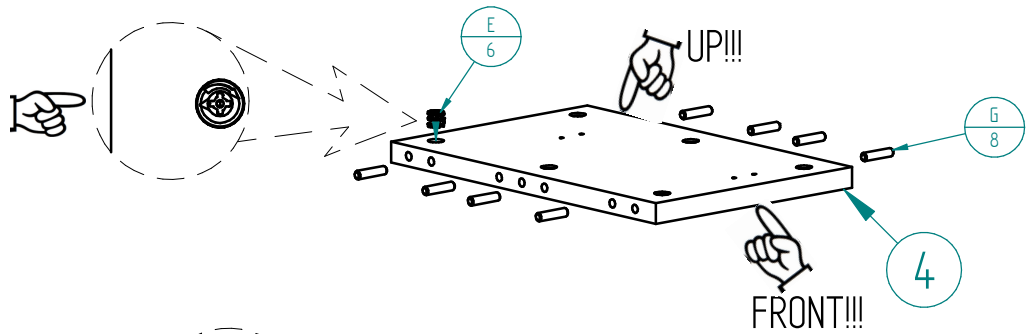


12x

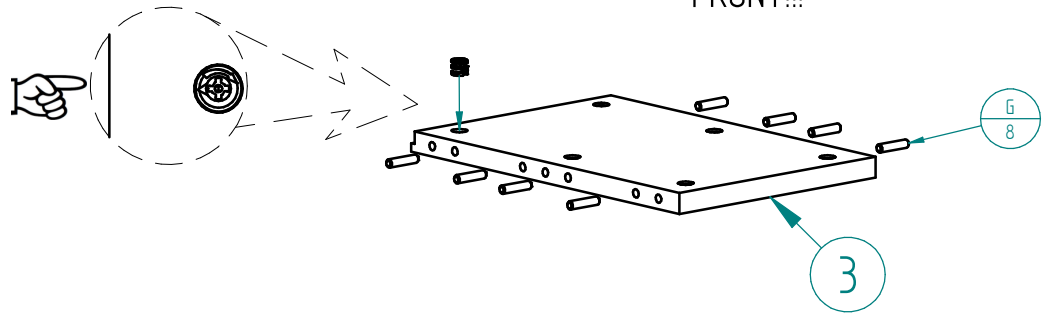
Ø 12



3. 2x

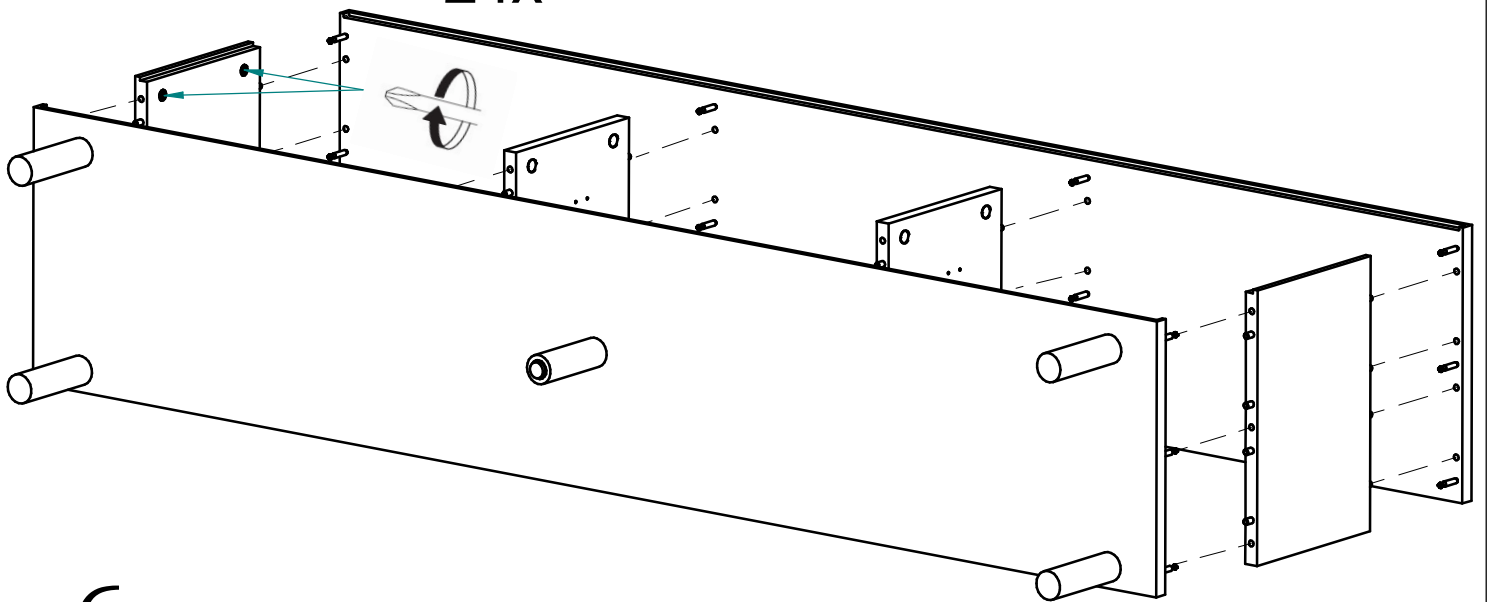


4. 2x

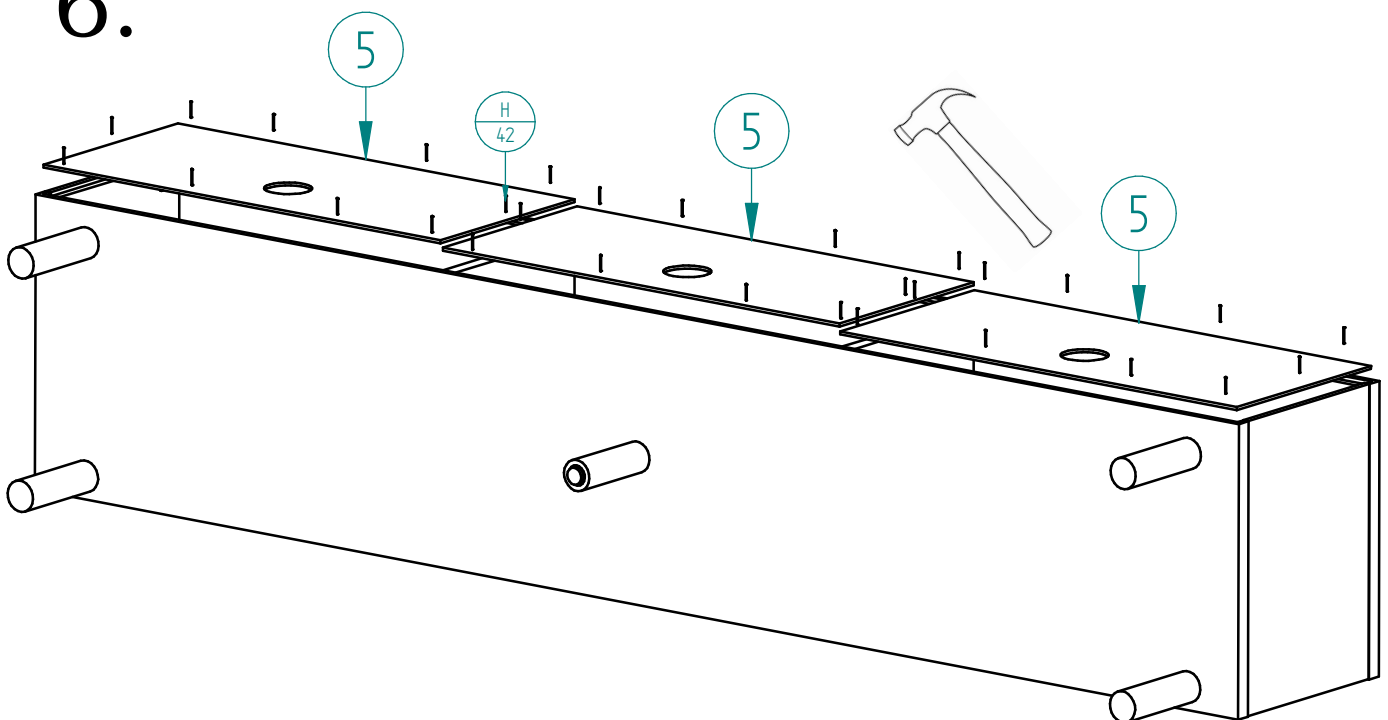


5.

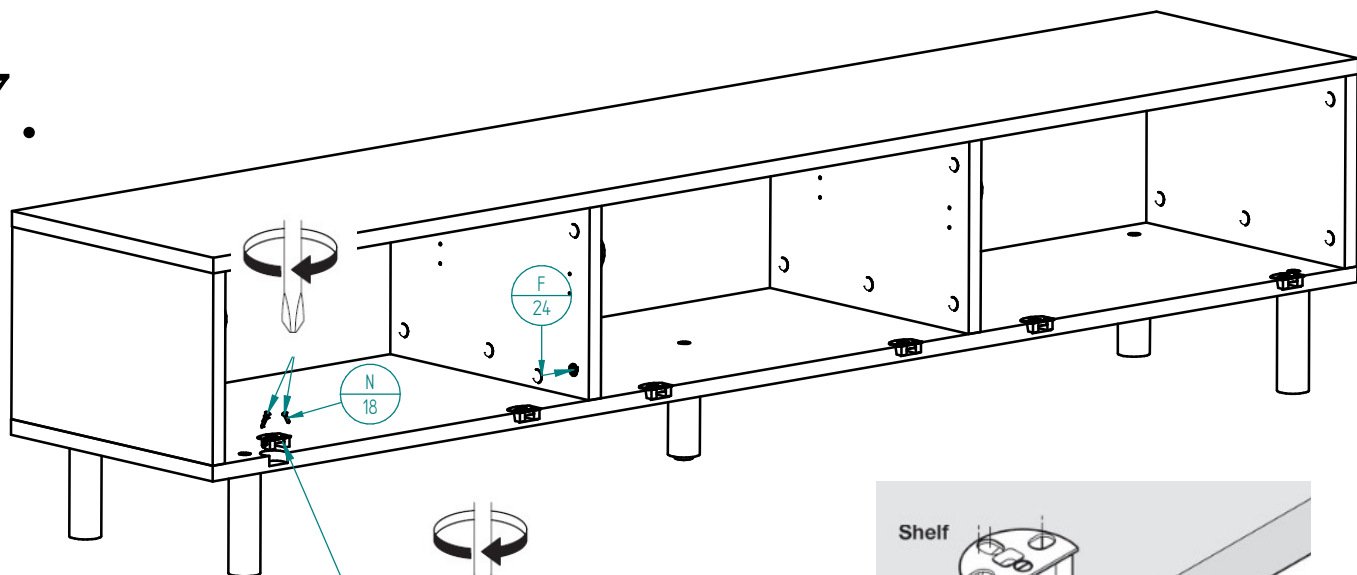
24x



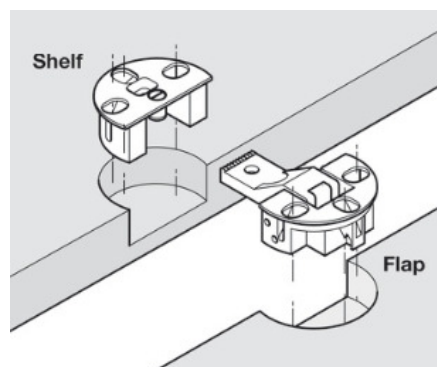
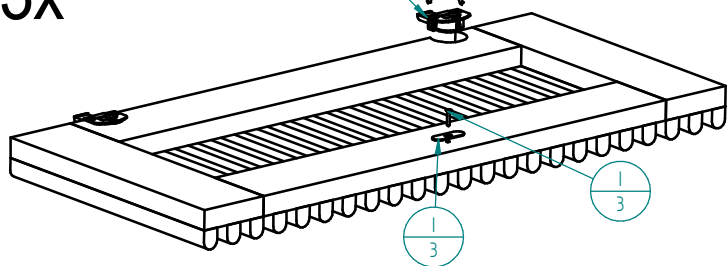
6.



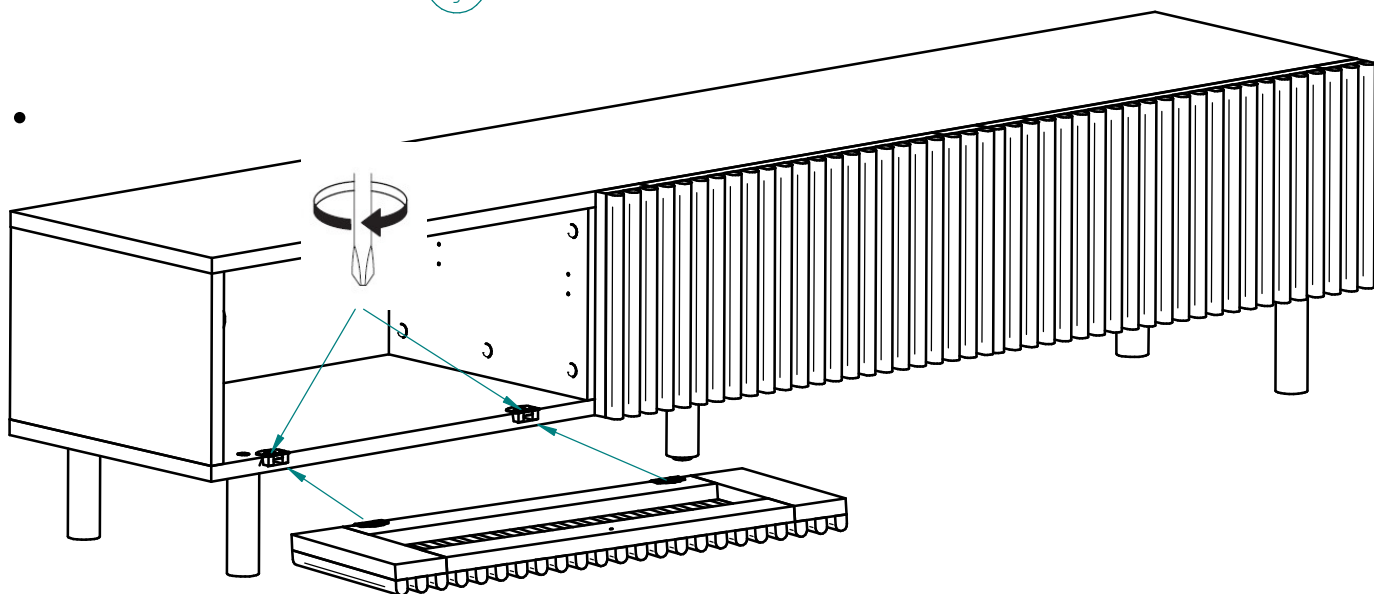
7.



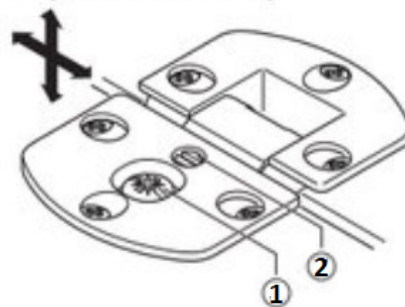
3x



8.

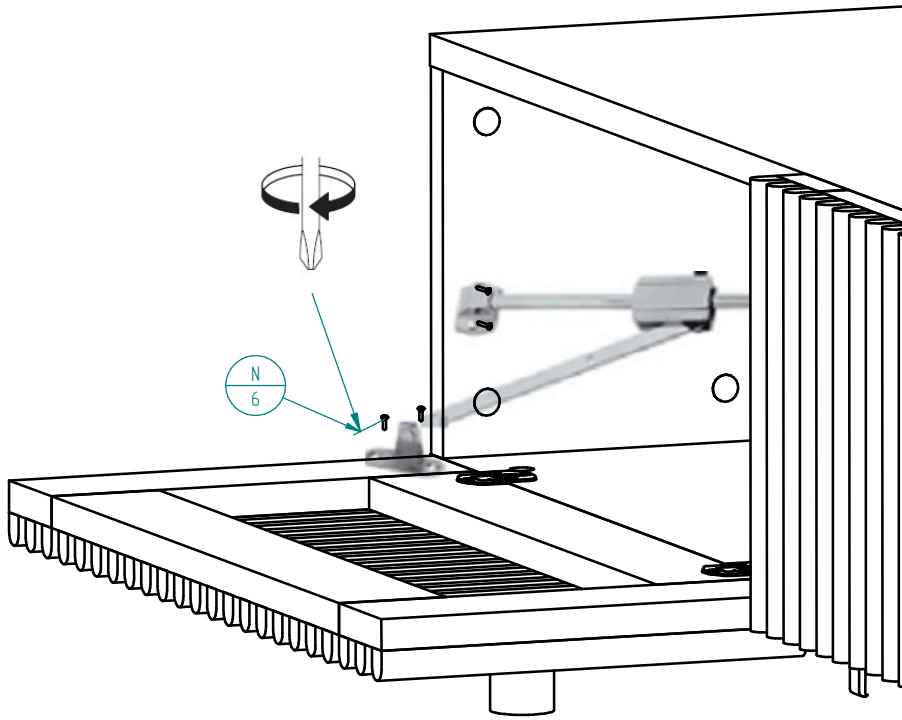


Adjustment facility



- ① Side and depth adjustment  $\pm 1$  mm
- ② Height adjustment: +2, -1 mm

9.



--OR--

